



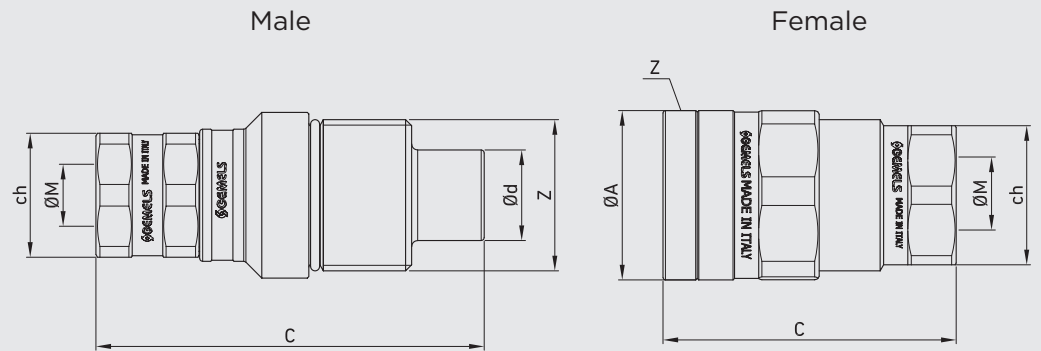
VGf

FLAT FACE SCREW COUPLING

Edition. 21.2

CS Carbon Steel

- Type: Quick Couplings
- Models: Flat Face Screw Coupling
- Sizes: from DN13 up to DN32
- Pressure: up to PN480
- Treatment: Galvanized





CODE DESCRIPTION STRUCTURE

QC	G 1/2	M/F	DN12,5	1	B
-----------	--------------	------------	---------------	----------	----------

Type of coupling

FLAT FACE SCREW

Ends

ISO 1179-1	ASME B1.20.1	ISO 11926-1
BSPP	NPT	(SAE J1926-1) ORB
G3/8	N3/8	SAE6
G1/2	N1/2	SAE8
G1/2	N 1/2	SAE8
G3/4	N 3/4	SAE12
G3/4	N 3/4	
G3/4	N 3/4	SAE12
G/1	N1	SAE16
G1	N1	SAE16
G1 1/4	N1 1/4	SAE20
G1 1/2	N1 1/2	/

MALE
FEMALE

DN/ISO

10
10
12,5
12,5
16
19
19
25
25
25

Body Material

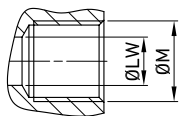
● 1 = 1,0737

Seal material

● B = NBR E = FKM*

*On request

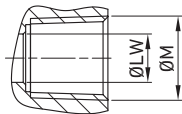
- Interchangeable with Stucchi profile/
compatible with Stucchi VEP series



QUICK COUPLINGS FLAT FACE SCREW (male / female) FEMALE THREAD ISO 1179-1 BSPP

											CS Carbon Steel
TYPE	DN	PN	ØA	C	Z	Ød	ch	ØM	WEIGHT		ITEM CODE
QC VGf G 3/8 MALE	10	MPa 55	mm -	91,5	M33X2	19,75	30	G3/8	kg 0,4	NC29G020000	
		Psi 7975	inch -	3,60		0,78	1,18		lb 0,88		
QC VGf G 3/8 FEMALE		MPa 42	mm 38,5	74,3	M33X2	-	30	G3/8	kg 0,9	NC30G020000	
		Psi 6090	inch 1,52	2,93		-	1,18		lb 1,98		
QC VGf G 1/2 MALE		MPa 55	mm -	95,5	M33X2	19,75	30	G1/2	kg 0,5	NC29G020001	
		Psi 7975	inch -	3,76		0,78	1,18		lb 1,10		
QC VGf G 1/2 FEMALE		MPa 42	mm 38,5	78,3	M33X2	-	30	G1/2	kg 1	NC30G020001	
		Psi 6090	inch 1,52	3,08		-	1,18		lb 2,20		
QC VGf G 1/2 MALE		MPa 55	mm -	103	M40X3	24,5	34	G1/2	kg 0,85	NC29G030000	
		Psi 7975	inch -	4,06		0,96	1,34		lb 1,87		
QC VGf G 1/2 FEMALE		MPa 42	mm 46	84,3	M40X3	-	36	G1/2	kg 1,25	NC30G030000	
		Psi 6090	inch 1,81	3,32		-	1,42		lb 2,76		
QC VGf G 3/4 MALE		MPa 55	mm -	106	M40X3	24,5	34	G3/4	kg 0,9	NC29G030001	
		Psi 7975	inch -	4,17		0,96	1,34		lb 1,98		
QC VGf G 3/4 FEMALE		MPa 42	mm 46	86	M40X3	-	36	G3/4	kg 1,4	NC29G030001	
		Psi 6090	inch 1,81	3,39		-	1,42		lb 0,30		
QC VGf G 3/4 MALE	MPa 55	mm -	98,8	M45X3	27	36	G3/4	kg 1,1	NC29GA30000		
	Psi 7975	inch -	3,89		1,06	1,42		lb 2,43			
QC VGf G 3/4 FEMALE	MPa 35	mm 53,7	85	M45X3	-	41	G3/4	kg 1,5	NC30GA30000		
	Psi 5075	inch 2,11	3,35		-	1,61		lb 3,31			
QC VGf G 3/4 MALE	MPa 50	mm -	128,5	M50X3	29,95	41	G3/4	kg 1,25	NC29G040000		
	Psi 7250	inch -	5,06		1,18	1,61		lb 2,76			
QC VGf G 3/4 FEMALE	MPa 35	mm 56	97,7	M50X3	-	46	G3/4	kg 1,5	NC30G040000		
	Psi 5075	inch 2,20	3,85		-	1,81		lb 3,31			
QC VGf G 1 MALE	MPa 50	mm -	132	M50X3	29,95	41	G1	kg 1,3	NC29G040001		
	Psi 7250	inch -	5,20		1,18	1,61		lb 2,87			
QC VGf G 1 FEMALE	MPa 35	mm 56	101,7	M50X3	-	46	G1	kg 1,55	NC30G040001		
	Psi 5075	inch 2,20	4,00		-	1,81		lb 3,42			
QC VGf G 1 MALE	MPa 47	mm -	143,2	M58X3	36	50	G1	kg 1,7	NC29G050000		
	Psi 6815	inch -	5,64		1,42	1,97		lb 3,75			
QC VGf G 1 FEMALE	MPa 35	mm 69,8	104	M58X3	-	55	G1	kg 1,8	NC30G050000		
	Psi 5075	inch 2,75	4,09		-	2,17		lb 3,97			
QC VGf G 1 1/4 MALE	MPa 47	mm -	145,7	M58X3	36	50	G1 1/4	kg 1,8	NC29G050001		
	Psi 6815	inch -	5,74		1,42	1,97		lb 3,97			
QC VGf G 1 1/4 FEMALE	MPa 35	mm 69,8	105	M58X3	-	55	G1 1/4	kg 1,9	NC30G050001		
	Psi 5075	inch 2,75	4,13		-	2,17		lb 4,19			
QC VGf G 1 1/2 MALE	MPa 47	mm -	145,7	M58X3	36	55	G1 1/2	kg 1,9	NC29G050002		
	Psi 6815	inch -	5,74		1,42	2,17		lb 4,19			
QC VGf G 1 1/2 FEMALE	MPa 35	mm 69,8	105	M58X3	-	55	G1 1/2	kg 2	NC30G050002		
	Psi 5075	inch 2,75	4,13		-	2,17		lb 4,41			

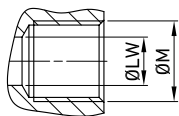
ABOVE ISO 25 N 1 1/4: ON REQUEST
DIFFERENT THREADS AVAILABLE ON REQUEST



QUICK COUPLINGS FLAT FACE SCREW (male / female) FEMALE THREAD ASME B1.20.1 NPT

											CS Carbon Steel	
TYPE	DN	PN	ØA	C	Z	Ød	ch	ØM	WEIGHT		ITEM CODE	
QC VGF N 3/8 MALE	10	MPa 55	mm -	93,5	M33X2	19,75	30	N3/8	kg	0,4	NC29N020000	
		Psi 7975	inch -	3,68		0,78	1,18		lb	0,88		
QC VGF N 3/8 FEMALE		MPa 42	mm 38,5	75,3	M33X2	-	30	N3/8	kg	0,9	NC30N020000	
		Psi 6090	inch 1,52	2,96		-	1,18		lb	1,98		
QC VGF N 1/2 MALE		MPa 55	mm -	98,3	M33X2	19,75	30	N1/2	kg	0,5	NC29N020001	
		Psi 7975	inch -	3,87		0,78	1,18		lb	1,10		
QC VGF N 1/2 FEMALE		MPa 42	mm 38,5	81,3	M33X2	-	30	N1/2	kg	1	NC30N020001	
		Psi 6090	inch 1,52	3,20		-	1,18		lb	2,20		
QC VGF N 1/2 MALE		MPa 55	mm -	103	M40X3	24,5	34	N1/2	kg	0,85	NC29N030000	
		Psi 7975	inch -	4,06		0,96	1,34		lb	1,87		
QC VGF N 1/2 FEMALE		MPa 42	mm 46	84,3	M40X3	-	36	N1/2	kg	1,25	NC30N030000	
		Psi 6090	inch 1,81	3,32		-	1,42		lb	2,76		
QC VGF N 3/4 MALE		MPa 55	mm -	106	M40X3	24,5	34	N1/2	kg	0,9	NC29N030001	
		Psi 7975	inch -	4,17		0,96	1,34		lb	1,98		
QC VGF N 3/4 FEMALE	MPa 42	mm 46	86	M40X3	-	36	N1/2	kg	1,4	NC30N030001		
	Psi 6090	inch 1,81	3,39		-	1,42		lb	3,09			
QC VGF N 3/4 MALE	MPa 55	mm -	98,8	M45X3	27	36	N3/4	kg	1,1	NC29NA30000		
	Psi 7975	inch -	3,89		1,06	1,42		lb	2,43			
QC VGF N 3/4 FEMALE	MPa 35	mm 53,7	85	M45X3	-	41	N3/4	kg	1,5	NC30NA30000		
	Psi 5075	inch 2,11	3,35		-	1,61		lb	3,31			
QC VGF N 3/4 MALE	MPa 50	mm -	128,5	M50X3	29,95	46	N3/4	kg	1,25	NC29N040000		
	Psi 7250	inch -	5,06		1,18	1,81		lb	2,76			
QC VGF N 3/4 FEMALE	MPa 35	mm 56	97,7	M50X3	-	46	N3/4	kg	1,5	NC30N040000		
	Psi 5075	inch 2,20	3,85		-	1,81		lb	3,31			
QC VGF N 1 MALE	MPa 50	mm -	132	M50X3	29,95	41	N1	kg	1,3	NC29N040001		
	Psi 7250	inch -	5,20		1,18	1,61		lb	2,87			
QC VGF N 1 FEMALE	MPa 35	mm 56	101,7	M50X3	-	46	N1	kg	1,55	NC30N040001		
	Psi 5075	inch 2,20	4,00		-	1,81		lb	3,42			
QC VGF N 1 1/4 MALE	MPa 47	mm -	143,2	M58X3	36	50	N1	kg	1,7	NC29N050000		
	Psi 6815	inch -	5,64		1,42	1,97		lb	3,75			
QC VGF N 1 1/4 FEMALE	MPa 35	mm 69,8	104	M58X3	-	55	N1	kg	1,8	NC30N050000		
	Psi 5075	inch 2,75	4,09		-	2,17		lb	3,97			
QC VGF N 1 MALE	MPa 47	mm -	145,7	M58X3	36	50	N1 1/4	kg	1,8	NC29N050001		
	Psi 6815	inch -	5,74		1,42	1,97		lb	3,97			
QC VGF N 1 FEMALE	MPa 35	mm 69,8	104	M58X3	-	55	N1 1/4	kg	1,9	NC30N050001		
	Psi 5075	inch 2,75	4,09		-	2,17		lb	4,19			
QC VGF N 1 1/4 MALE	MPa 47	mm -	145,7	M58X3	36	55	N1 1/2	kg	1,9	NC29N050002		
	Psi 6815	inch -	5,74		1,42	2,17		lb	4,19			
QC VGF N 1 1/4 FEMALE	MPa 35	mm 69,8	104	M58X3	-	55	N1 1/2	kg	2	NC30N050002		
	Psi 5075	inch 2,75	4,09		-	2,17		lb	4,41			

ABOVE ISO 25 N 1 1/4: ON REQUEST
DIFFERENT THREADS AVAILABLE ON REQUEST


**QUICK COUPLINGS FLAT FACE SCREW (male / female)
FEMALE THREAD ISO 11926-1 (SAE J1926-1) ORB**

											CS Carbon Steel
TYPE	DN	PN	ØA	C	Z	Ød	ch	ØM	WEIGHT		ITEM CODE
QC VGF SAE6 MALE	10	MPa 55	mm -	92,5	M33X2	19,75	30	9/16-18 UNF	kg 0,4	NC29S020000	
		Psi 7975	inch -	3,64		0,78	1,18		lb 0,88		
QC VGF SAE6 FEMALE		MPa 42	mm 38,5	74,3	M33X2	-	30	9/16-18 UNF	kg 0,9	NC30S020000	
		Psi 6090	inch 1,52	2,93		-	1,18		lb 1,98		
QC VGF SAE8 MALE		MPa 55	mm -	95,5	M33X2	19,75	30	3/4-16 UNF	kg 0,5	NC29S020001	
		Psi 7975	inch -	3,76		0,78	1,18		lb 1,10		
QC VGF SAE8 FEMALE		MPa 42	mm 38,5	78,3	M33X2	-	30	3/4-16 UNF	kg 1	NC30S020001	
		Psi 6090	inch 1,52	3,08		-	1,18		lb 2,20		
QC VGF SAE8 MALE		12,5	MPa 55	mm -	103	M40X3	24,5	34	3/4-16 UNF	kg 0,85	NC29S030000
			Psi 7975	inch -	4,06		0,96	1,34		lb 1,87	
QC VGF SAE8 FEMALE			MPa 42	mm 46	84,3	M40X3	-	36	3/4-16 UNF	kg 1,25	NC30S030000
			Psi 6090	inch 1,81	3,32		-	1,42		lb 2,76	
QC VGF SAE12 MALE	MPa 55		mm -	108,5	M40X3	24,5	34	1-1/16-12 UN	kg 0,9	NC29S030001	
	Psi 7975		inch -	4,27		0,96	1,34		lb 1,98		
QC VGF SAE12 FEMALE	MPa 42		mm 46	87,3	M40X3	-	36	1-1/16-12 UN	kg 1,4	NC30S030001	
	Psi 6090		inch 1,81	3,44		-	1,42		lb 0,30		
QC VGF SAE12 MALE	19		MPa 50	mm -	130	M50X3	29,95	41	1-1/16-12 UN	kg 1,25	NC29S040000
			Psi 7250	inch -	5,12		1,18	1,61		lb 2,76	
QC VGF SAE12 FEMALE			MPa 35	mm 56	99,7	M50X3	-	46	1-1/16-12 UN	kg 1,5	NC30S040000
			Psi 5075	inch 2,20	3,93		-	1,81		lb 3,31	
QC VGF SAE16 MALE		MPa 50	mm -	132	M50X3	29,95	41	1 5/16-12 UN	kg 1,3	NC29S040001	
		Psi 7250	inch -	5,20		1,18	1,61		lb 2,87		
QC VGF SAE16 FEMALE		MPa 35	mm 56	101,7	M50X3	-	46	1 5/16-12 UN	kg 1,55	NC30S040001	
		Psi 5075	inch 2,20	4,00		-	1,81		lb 3,42		
QC VGF SAE16 MALE		25	MPa 47	mm -	143,2	M58X3	36	50	"1 5/16-12 UN"	kg 1,7	NC29S050000
			Psi 6815	inch -	5,64		1,42	1,97		lb 3,75	
QC VGF SAE16 FEMALE			MPa 35	mm 69,8	104	M58X3	-	55	"1 5/16-12 UN"	kg 1,8	NC30S050000
			Psi 5075	inch 2,75	4,09		-	2,17		lb 3,97	
QC VGF SAE20 MALE	MPa 47		mm -	145,7	M58X3	36	50	"1 5/8-12 UN"	kg 1,8	NC29S050001	
	Psi 6815		inch -	5,74		1,42	1,97		lb 3,97		
QC VGF SAE20 FEMALE	MPa 35		mm 69,8	104	M58X3	-	55	"1 5/8-12 UN"	kg 1,9	NC30S050001	
	Psi 5075		inch 2,75	4,09		-	2,17		lb 4,19		