



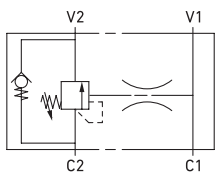
VOSE

SINGLE EFFECT OVERCENTER VALVE

Edition. 21.1

CS Carbon Steel

- Type: Single Effect Overcenter Valve
- Sizes: DN6-DN20
- Ends: BSP-NPT-SAE
- Pressure: up to PN350
- Temp range: from -20°C to +90°C
- Treatment: Galvanized



STRUCTURE

Type and way of valve

Ends

GAS DIN/
ISO 228
BSP

NPT ANSI
/ASME
B1.20.1

SAE
J1926-1

Material

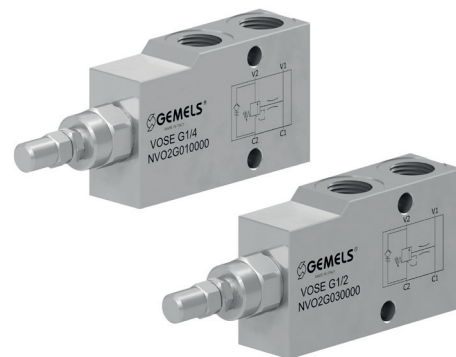
VOSE

G 1/4
G 3/8
G 1/2
G 3/4

N 1/4
N 3/8
N 1/2
N 3/4

SAE4
SAE6
SAE8
SAE12

CS CARBON STEEL



FEATURES

PILOT RATIO

4.25:1
6.25:1

FLUID VISCOSITY

ISO 3448

FILTRATION

ISO4406

FLUID TEMPERATURE

-20°C +90°C

AMBIENT TEMPERATURE

-20°C +50°C

STANDARD SEALS

NBR

ADJUSTMENT

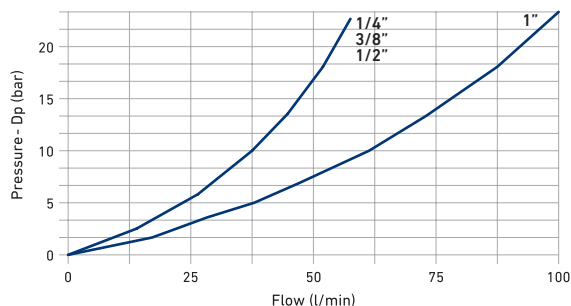
Steel cap

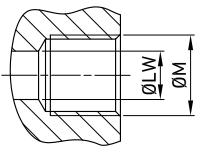
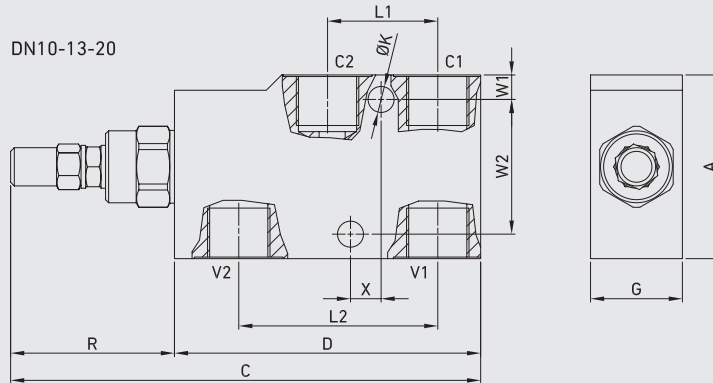
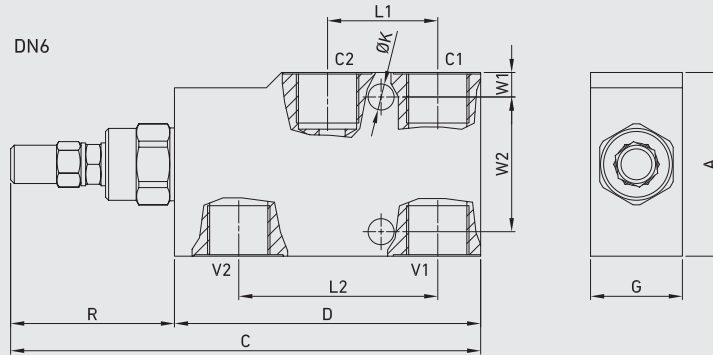
*On request

- Pilot ratio 8:1 and 11:1
- Bigger sizes
- Tamper proof cap

PERFORMANCES V to C

Oil viscosity 24mm²/s (3,5°E) - Temperature 50°C

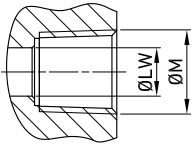




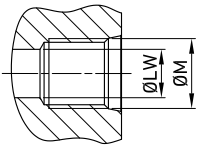
VOSE DIN/ISO 228 BSP

CS
Carbon Steel

TYPE	DN	PN	STANDARD SETTING	SETTING RANGE	A	C	D	G	L1	L2	R	ØM	ØK	W1	W2	X	PILOT RATIO	MAX FLOW (l/min)	WEIGHT	ITEM CODE
VOSE G 1/4	6	MPa 35	30	6-35	mm 50	149	95	25	30	58	54	G 1/4	6,5	7	36	-	4.25:1	30	kg 0,9	NV02G010000
		Psi 5075	4350	870-5075	inch 1,97	5,87	3,74	0,98	1,18	2,28	2,13		0,26	0,28	1,42	-			lb 1,98	
VOSE G 3/8	10	MPa 35	30	6-35	mm 60	153,5	100	30	30	60	53,5	G 3/8	8,5	8	44	10	4.25:1	40	kg 1,25	NV02G020000
		Psi 5075	4350	870-5075	inch 2,36	6,04	3,94	1,18	1,18	2,36	2,11		0,33	0,31	1,73	0,39			lb 2,76	
VOSE G 1/2	13	MPa 35	30	6-35	mm 60	153,5	100	30	36	65	53,5	G 1/2	8,5	8	44	10	4.25:1	60	kg 1,2	NV02G030000
		Psi 5075	30	870-5075	inch 2,36	6,04	3,94	1,18	1,42	2,56	2,11		0,33	0,31	1,73	0,39			lb 2,65	
VOSE G 3/4	20	MPa 35	30	6-35	mm 80	183	127	35	46	85	56	G 3/4	8,5	18	44	10	6.25:1	90	kg 2,3	NV02G040000
		Psi 5075	4350	870-5075	inch 3,15	7,20	5,00	1,38	1,81	3,35	2,20		0,33	0,71	1,73	0,39			lb 5,07	


VOSE ANSI/ASME B1.20.1 NPT
Carbon Steel

TYPE	DN	PN	STANDARD SETTING	SETTING RANGE	A	C	D	G	L1	L2	R	$\varnothing M$	$\varnothing K$	W1	W2	X	PILOT RATIO	MAX FLOW (l/min)	WEIGHT	ITEM CODE
VOSE N 1/4	6	MPa 35	30	6-35	mm 50 149 95 25 30 58 54							N 1/4	6,5	7	36	-	4.25:1	30	kg 0,9	NV02N010000
		Psi 5075	4350	870-5075	inch 1,97 5,87 3,74 0,98 1,18 2,28 2,13								0,26	0,28	1,42	-			lb 1,98	
VOSE N 3/8	10	MPa 35	30	6-35	mm 60 153,5 100 30 30 60 53,5							N 3/8	8,5	8	44	10	4.25:1	40	kg 1,25	NV02N020000
		Psi 5075	4350	870-5075	inch 2,36 6,04 3,94 1,18 1,18 2,36 2,11								0,33	0,31	1,73	0,39			lb 2,76	
VOSE N 1/2	13	MPa 35	30	6-35	mm 60 153,5 100 30 36 65 53,5							N 1/2	8,5	8	44	10	4.25:1	60	kg 1,2	NV02N030000
		Psi 5075	30	870-5075	inch 2,36 6,04 3,94 1,18 1,42 2,56 2,11								0,33	0,31	1,73	0,39			lb 2,65	
VOSE N 3/4	20	MPa 35	30	6-35	mm 80 183 127 35 46 85 56							N 3/4	8,5	18	44	10	6.25:1	90	kg 2,3	NV02N040000
		Psi 5075	4350	870-5075	inch 3,15 7,20 5,00 1,38 1,81 3,35 2,20								0,33	0,71	1,73	0,39			lb 5,07	


VOSE SAE J1926-1
Carbon Steel

TYPE	DN	PN	STANDARD SETTING	SETTING RANGE	A	C	D	G	L1	L2	R	$\varnothing M$	$\varnothing K$	W1	W2	X	PILOT RATIO	MAX FLOW (l/min)	WEIGHT	ITEM CODE
VOSE SAE 4	6	MPa 35	30	6-35	mm 50 149 95 25 30 58 54							7/16	6,5	7	36	-	4.25:1	30	kg 0,9	NV02S010000
		Psi 5075	4350	870-5075	inch 1,97 5,87 3,74 0,98 1,18 2,28 2,13							UNF	0,26	0,28	1,42	-			lb 1,98	
VOSE SAE 6	10	MPa 35	30	6-35	mm 60 153,5 100 30 30 60 53,5							9/16	8,5	8	44	10	4.25:1	40	kg 1,25	NV02S020000
		Psi 5075	4350	870-5075	inch 2,36 6,04 3,94 1,18 1,18 2,36 2,11							UNF	0,33	0,31	1,73	0,39			lb 2,76	
VOSE SAE 8	13	MPa 35	30	6-35	mm 60 153,5 100 30 36 65 53,5							3/4 - 16	8,5	8	44	10	4.25:1	60	kg 1,2	NV02S030000
		Psi 5075	30	870-5075	inch 2,36 6,04 3,94 1,18 1,42 2,56 2,11							UNF	0,33	0,31	1,73	0,39			lb 2,65	
VOSE SAE 12	20	MPa 35	30	6-35	mm 80 183 127 35 46 85 56							1 1/16	8,5	18	44	10	6.25:1	90	kg 2,3	NV02S040000
		Psi 5075	4350	870-5075	inch 3,15 7,20 5,00 1,38 1,81 3,35 2,20							12 UN	0,33	0,71	1,73	0,39			lb 5,07	