



G3K

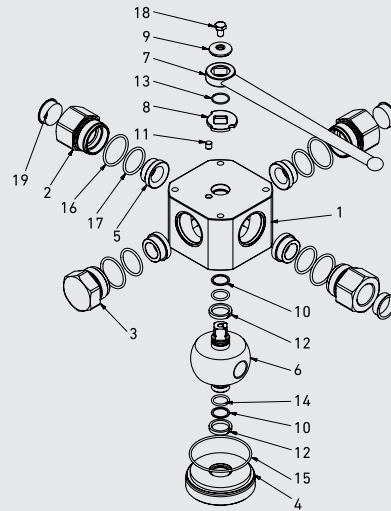
3-WAY HIGH PRESSURE BALL VALVES

Edition. 21.2

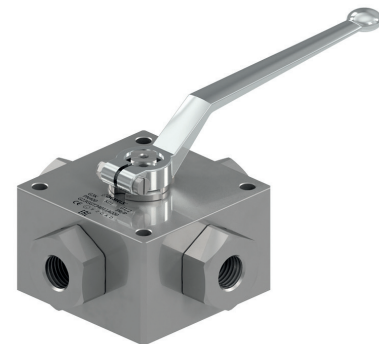
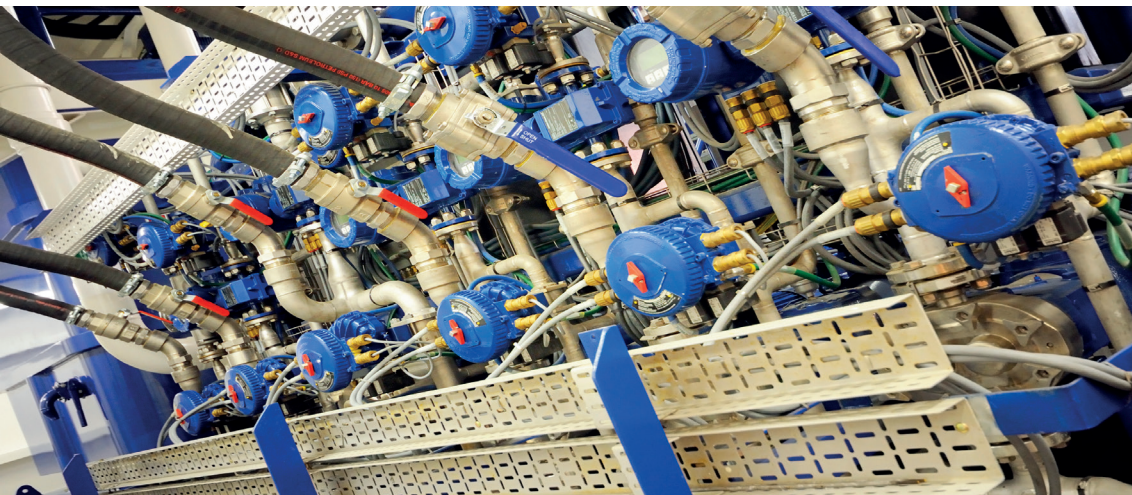
CS Carbon Steel

- Type: ball valve 3 way
- Sizes: from DN6 up to DN25
- Ends: BSP-NPT
- Pressure: up to PN500
- Temp range: from -20°C to +100°C
- Treatment: Galvanized

STANDARD COMPOSITION OF VALVE



POS	DESCRIPTION	Q.TY	CS Carbon Steel		POS	DESCRIPTION	Q.TY	CS Carbon Steel	
				MATERIAL					MATERIAL
1	Body	1		1,0737	11	Pin	1		1,0737
2	Adapter	3		1,0737	12	Body ring	2		PTFE
3	Close adapter	1		1,0737	13	Seeger	1		1,4404
4	Stemball adapter	1		1,0737	14	Stemball o-ring	2		NBR
5	Ball seat	4		POM	15	Body o-ring	1		NBR
6	Ball stem	1		1,0737	16	Adapter o-ring	4		NBR
7	Handle	1		ZINC	17	Seal o-ring	4		NBR
8	Washer	1		1,0116	18	Screw	1		DIN 6921 8.8
9	Washer	1		1,0116	19	Caps	4		PVC
10	Stemball ring	2		PTFE					



CODE DESCRIPTION STRUCTURE

G3K	K01	G1/4	DN6	1	1	1	1	A	B
------------	------------	-------------	------------	----------	----------	----------	----------	----------	----------

Type and way of valve

G3K 3-way

Type of way

- L K01
- T K02
- X K14

Ends

GAS DIN/	NPT ANSI
ISO 228	/ASME
BSP	B1.20.1
G 1/4	N 1/4
G 3/8	N 3/8
G 1/2	N 1/2
G 3/4	N 3/4
G 1	N 1
G 1 1/4 R	N 1 1/4 R
G 1 1/2 R	N 1 1/2 R

Size

from DN6 to DN25

Body Material

- 1 = 1,0737

Adapter material

- 1 = 1,0737

Stem material

- 1 = 1,0737 4 = 1,4404*

Ball Material

- 1 = 1,0737 4 = 1,4404*

Seat material

A = POM

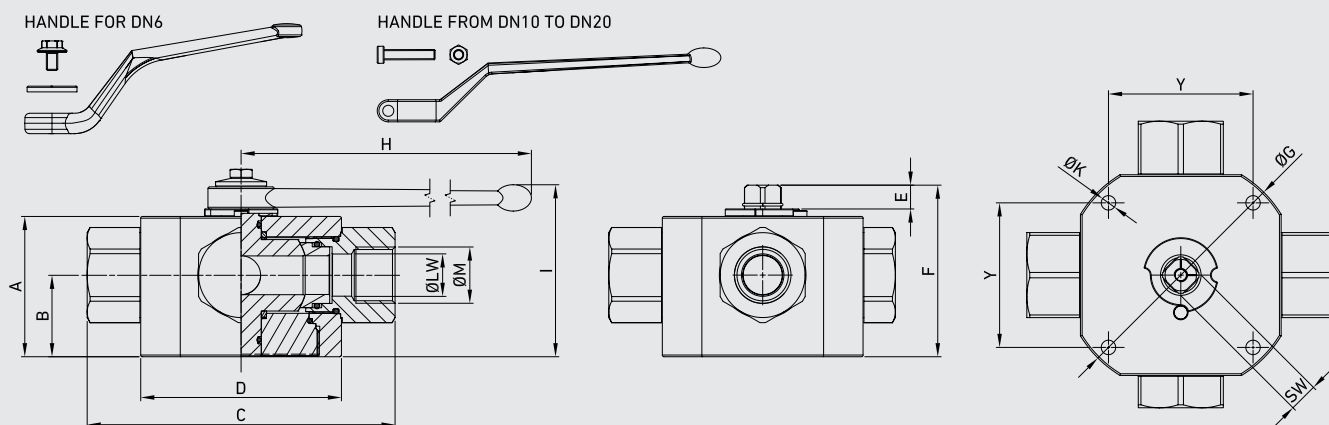
Seal material

B = NBR

***On request**

- Reduced bore
- Special threads
- Pressure class up to PN35 MPa
- Pneumatic and electrical actuator
- Locking device

For further special requests please consult our technical/commercial service.


G3K DIN ISO 228 BSP

TYPE	DN	PN	A	B	C	D	E	F	ØG	H	I	ØK	ØM	Y	SW	ØLW	WEIGHT
G3K G 1/4	6	MPa 50	mm 42	21,5	100	70	11	56,5	-	110	97,5	6,5	G 1/4	55	9	6	kg 1,767
		Psi 7250	inch 1,65	0,85	3,94	2,76	0,43	2,22	-	4,33	3,84	0,26		2,17	0,35	0,24	lb 3,90
G3K G 3/8	10	MPa 50	mm 53	28,5	115	80	14	71,5	-	180	101	6,5	G 3/8	65	14	10	kg 3,018
		Psi 7250	inch 2,09	1,12	4,53	3,15	0,55	2,81	-	7,09	3,98	0,26		2,56	0,55	0,39	lb 6,65
G3K G 1/2	13	MPa 40	mm 62	33	136	100	14	80,5	-	180	110	8,5	G 1/2	80	14	13	kg 5,247
		Psi 5800	inch 2,44	1,30	5,35	3,94	0,55	3,17	-	7,09	4,33	0,33		3,15	0,55	0,51	lb 11,57
G3K G 3/4	20	MPa 35	mm 68	36	156	113	14	86,5	-	300	116,5	8,5	G 3/4	85	14	20	kg 6,898
		Psi 5075	inch 2,68	1,42	6,14	4,45	0,55	3,41	-	11,81	4,59	0,33		3,35	0,55	0,79	lb 15,21
G3K G 1	25	MPa 35	mm 82	47,5	181	118	14	100,5	138	300	130,5	8,5	G 1	85	14	25	kg 9,005
		Psi 5075	inch 3,23	1,87	7,13	4,65	0,55	3,96	5,43	11,81	5,14	0,33		3,35	0,55	0,98	lb 19,85
G3K G 1 1/4 R	25	MPa 35	mm 82	47,5	181	118	14	100,5	138	300	130,5	8,5	G 1 1/4	85	14	25	kg 8,989
		Psi 5075	inch 3,23	1,87	7,13	4,65	0,55	3,96	5,43	11,81	5,14	0,33		3,35	0,55	0,98	lb 19,82
G3K G 1 1/2 R	25	MPa 35	mm 82	47,5	181	118	14	100,5	138	300	130,5	8,5	G 1 1/2	85	14	25	kg 9,213
		Psi 5075	inch 3,23	1,87	7,13	4,65	0,55	3,96	5,43	11,81	5,14	0,33		3,35	0,55	0,98	lb 20,31

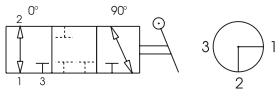
G3K ANSI/ASME B1.20.1 NPT

TYPE	DN	PN	A	B	C	D	E	F	ØG	H	I	ØK	ØM	Y	SW	ØLW	WEIGHT
G3K N 1/4	6	MPa 50	mm 42	21,5	100	70	11	56,5	-	110	97,5	6,5	N 1/4	55	9	6	kg 1,767
		Psi 7250	inch 1,65	0,85	3,94	2,76	0,43	2,22	-	4,33	3,84	0,26		2,17	0,35	0,24	lb 3,90
G3K N 3/8	10	MPa 50	mm 53	28,5	115	80	14	71,5	-	180	101	6,5	N 3/8	65	14	10	kg 3,018
		Psi 7250	inch 2,09	1,12	4,53	3,15	0,55	2,81	-	7,09	3,98	0,26		2,56	0,55	0,39	lb 6,65
G3K N 1/2	13	MPa 40	mm 62	33	136	100	14	80,5	-	180	110	8,5	N 1/2	80	14	13	kg 5,247
		Psi 5800	inch 2,44	1,30	5,35	3,94	0,55	3,17	-	7,09	4,33	0,33		3,15	0,55	0,51	lb 11,57
G3K N 3/4	20	MPa 35	mm 68	36	156	113	14	86,5	-	300	116,5	8,5	N 3/4	85	14	20	kg 6,898
		Psi 5075	inch 2,68	1,42	6,14	4,45	0,55	3,41	-	11,81	4,59	0,33		3,35	0,55	0,79	lb 15,21
G3K N 1	25	MPa 35	mm 82	47,5	181	118	14	100,5	138	300	130,5	8,5	N 1	85	14	25	kg 9,005
		Psi 5075	inch 3,23	1,87	7,13	4,65	0,55	3,96	5,43	11,81	5,14	0,33		3,35	0,55	0,98	lb 19,85
G3K N 1 1/4 R	25	MPa 35	mm 82	47,5	181	118	14	100,5	138	300	130,5	8,5	N 1 1/4	85	14	25	kg 8,989
		Psi 5075	inch 3,23	1,87	7,13	4,65	0,55	3,96	5,43	11,81	5,14	0,33		3,35	0,55	0,98	lb 19,82
G3K N 1 1/2 R	25	MPa 35	mm 82	47,5	181	118	14	100,5	138	300	130,5	8,5	N 1 1/2	85	14	25	kg 9,213
		Psi 5075	inch 3,23	1,87	7,13	4,65	0,55	3,96	5,43	11,81	5,14	0,33		3,35	0,55	0,98	lb 20,31

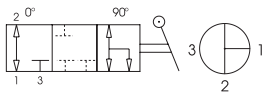
G3K DIN ISO 228 BSP

G3K ANSL/ASME B1.20.1 NPT

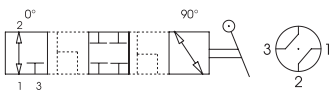
L scheme
G3 K01



T scheme
G3 K02



X scheme
G3 K14



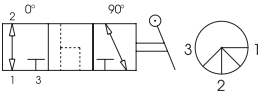
	CS Carbon Steel		CS Carbon Steel
ØLW-K01	ITEM CODE G3K01	ØLW-K01	ITEM CODE G3K01
6	G23GGT15011A000	6	G23NNT15011A000
10	G23GGT25011A000	10	G23NNT25011A000
13	G23GGT34011A000	13	G23NNT34011A000
19	G23GGT43011A000	19	G23NNT43011A000
23	G23GGT53011A000	23	G23NNT53011A000
23	G23GGR63011A000	23	G23NNR63011A000
23	G23GGR73011A000	23	G23NNR73011A000

ØLW-K02	ITEM CODE G3K02	ØLW-K02	ITEM CODE G3K02
6	G2AGGT15011A000	6	G2ANNT15011A000
10	G2AGGT25011A000	10	G2ANNT25011A000
13	G2AGGT34011A000	13	G2ANNT34011A000
19	G2AGGT43011A000	19	G2ANNT43011A000
23	G2AGGT53011A000	23	G2ANNT53011A000
23	G2AGGR63011A000	23	G2ANNR63011A000
23	G2AGGR73011A000	23	G2ANNR73011A000

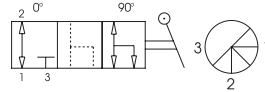
ØLW-K14	ITEM CODE G3K14	ØLW-K14	ITEM CODE G3K14
5	G2BGGT15011A000	5	G2BNNT15011A000
7	G2BGGT25011A000	7	G2BNNT25011A000
10	G2BGGT34011A000	10	G2BNNT34011A000
15	G2BGGT43011A000	15	G2BNNT43011A000
17	G2BGGT53011A000	17	G2BNNT53011A000
17	G2BGR63011A000	17	G2BNNR63011A000
17	G2BGR73011A000	17	G2BNNR73011A000

Special schemes on request

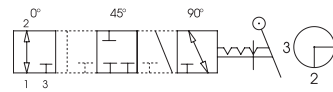
G3 K03



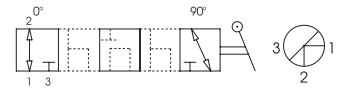
G3 K04



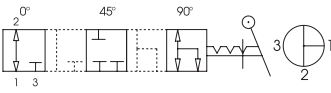
G3 K05



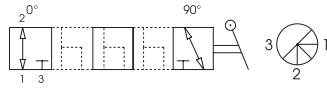
G3 K06



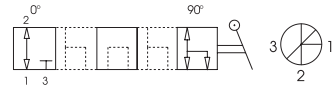
G3 K07



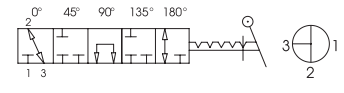
G3 K08



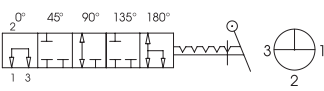
G3 K09



G3 K10



G3 K11



G3 K12

