



# GBS

## 2-WAY HIGH PRESSURE BALL VALVES

Edition. 21.4

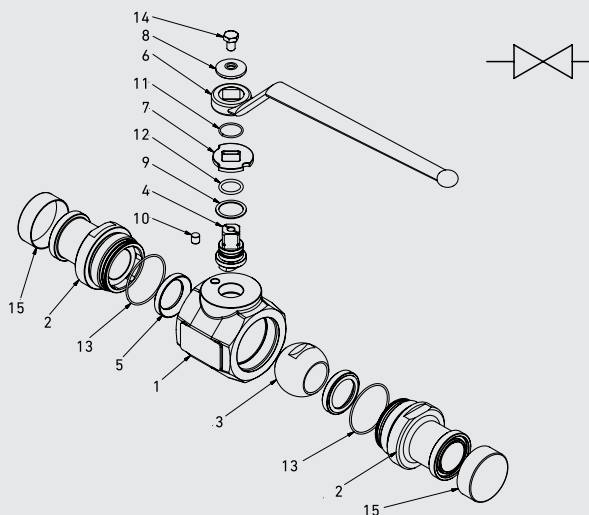
### CS Carbon Steel

- Type: forged ball valve 2 way
- Sizes: from DN32 up to DN50
- Ends: SAE J518
- Pressure: up to PN420 / S6000
- Temp range: from -30°C to +100°C (body -46°C)
- Treatment: Galvanized

### SS Stainless Steel

- Type: forged ball valve 2 way
- Sizes: from DN32 up to DN50
- Ends: SAE J518
- Pressure: up to PN420 / S6000
- Temp range: from -30°C to +100°C (body -46°C)

### STANDARD COMPOSITION OF VALVE



POS	DESCRIPTION	Q.TY	CS	SS
			Carbon Steel	Stainless Steel
			MATERIAL	
1	Body	1	1,0570	1,4404
2	Adapter	2	1,0570	1,4404
3	Ball	1	1,0737	1,4404
4	Stem	1	1,0737	1,4404
5	Ball seat	2	POM	POM
6	Handle	1	1,0116	1,0116
7	Washer	1	1,0116	1,4404
8	Washer	1	1,0737	1,4404
9	Stem ring	1	POM	POM
10	Pin	1	1,0737	1,4404
11	Seeger	1	1,4404	1,4404
12	Adapter o-ring	4	NBR	NBR
13	Stem o-ring	1	NBR	NBR
14	Screw	1	ISO4017 8.8	ISO4017 A4
15	Caps	2	PVC	PVC



**CODE DESCRIPTION STRUCTURE**

GB	S3	DN32	2	2	1	1	A	B
----	----	------	---	---	---	---	---	---

**Type and way of valve**

GB 2-way

**Ends**

Valves dimension of pressure (PSI) F3-S3  
Valves dimension of pressure (PSI) F6-S6

S3000 S6000

**Size**

from DN32 to DN50

**Body Material**

- 2 = 1,0570
- 4 = 1,4404

**Adapter material**

- 2 = 1,0570
- 4 = 1,4404

**Stem material**

- 1 = 1,0737 4 = 1,4404\*
- 4 = 1,4404

**Ball Material**

- 1 = 1,0737 4 = 1,4404\*
- 4 = 1,4404

**Seat material**

A = POM D = PEEK\* G = PA612\* K = GEMPTFE\* C = PTFE\*

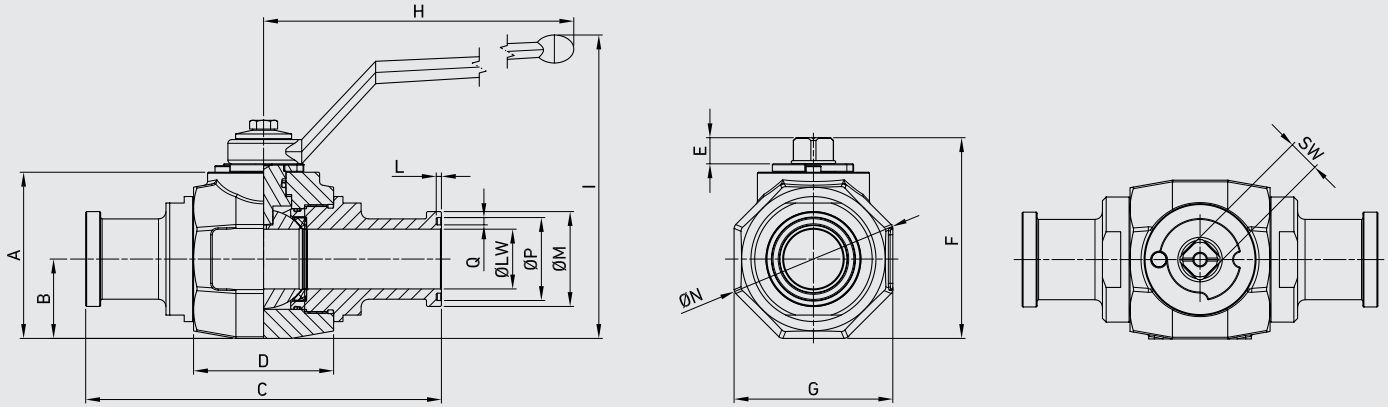
**Seal material**

B = NBR E = FKM\* F = EPDM\* L = MVQ\*

**\*On request**

- Reduced bore
- Special threads
- Pressure class up to PN5000 Psi
- Pneumatic and electrical actuator
- Locking device

*For further special requests please consult our technical/commercial service.*



GBS SAE J518 S3000 - C61

TYPE	DN	PN		A	B	C	D	E	F	G	H	I	L	ØM	ØN	ØP	Q	SW	ØLW	WEIGHT	CS	SS		
																					Carbon Steel	Stainless Steel		
																						ITEM CODE		
GBS3	32	MPa	28	mm	89	42,5	190,5	75	14	107,5	85	310	162,5	2,79	50,8	91,5	44,45	3,94	17	32	kg	5,429	GB2SSC3L021A000	GB2SSC3L044A000
		Psi	4060	inch	3,50	1,67	7,50	2,95	0,55	4,23	3,35	12,20	6,40	0,11	2,00	3,60	1,75	0,16	0,67	1,26	lb	11,97		
GBS3	40	MPa	21	mm	106	52,5	230,5	85	14	124,5	105	310	180	2,79	60,26	112	53,72	3,94	17	40	kg	8,265	GB2SSC4L021A000	GB2SSC4L044A000
		Psi	3045	inch	4,17	2,07	9,07	3,35	0,55	4,90	4,13	12,20	7,09	0,11	2,37	4,41	2,11	0,16	0,67	1,57	lb	18,22		
GBS3	50	MPa	21	mm	115,5	58,5	232	98	14	134	117	310	190	2,79	71,4	126	63,25	3,94	17	50	kg	9,865	GB2SSC5L021A000	GB2SSC5L044A000
		Psi	3045	inch	4,55	2,30	9,13	3,86	0,55	5,28	4,61	12,20	7,48	0,11	2,81	4,96	2,49	0,16	0,67	1,97	lb	21,75		

GBS3 SAE J518 S3000 EXTRA LONG - C61

TYPE	DN	PN		A	B	C	D	E	F	G	H	I	L	ØM	ØN	ØP	Q	SW	ØLW	WEIGHT	CS		
																					Carbon Steel		
																					ITEM CODE		
GBS3	32	MPa	28	mm	89	42,5	275	75	14	107,5	85	310	162,5	2,79	50,8	91,5	44,45	3,94	17	30	kg	5,206	GB2SXC3L021A000
		Psi	4060	inch	3,50	1,67	10,83	2,95	0,55	4,23	3,35	12,20	6,40	0,11	2,00	3,60	1,75	0,16	0,67	1,18	lb	11,48	
GBS3	40	MPa	21	mm	106	52,5	321	85	14	124,5	105	310	180	2,79	60,33	112	53,72	3,94	17	38	kg	8,323	GB2SXC4L021A000
		Psi	3045	inch	4,17	2,07	12,64	3,35	0,55	4,90	4,13	12,20	7,09	0,11	2,38	4,41	2,11	0,16	0,67	1,50	lb	18,35	
GBS3	50	MPa	21	mm	115,5	58,5	323	97,85	14	134	117	310	190	2,79	71,4	126	63,25	3,94	17	48	kg	10,097	GB2SXC5L021A000
		Psi	3045	inch	4,55	2,30	12,72	3,85	0,55	5,28	4,61	12,20	7,48	0,11	2,81	4,96	2,49	0,16	0,67	1,89	lb	22,26	

**GBS SAE J518 S6000 - C62**

TYPE	DN	PN																		CS	SS		
																				Carbon Steel	Stainless Steel		
			A	B	C	D	E	F	G	H	I	L	ØM	ØN	ØP	Q	SW	ØLW	WEIGHT	ITEM CODE			
GBS6	32	MPa 42	mm	89	42,5	223	75	14	107,5	85	310	162,5	2,79	54	91,5	44,45	3,94	17	32	kg	5,828	GB2SSC93021A000	GB2SSC93044A000
		Psi 6090	inch	3,50	1,67	8,78	2,95	0,55	4,23	3,35	12,20	6,40	0,11	2,13	3,60	1,75	0,16	0,67	1,26	lb	12,85		
GBS6	40	MPa 42	mm	106	52,5	281	85	14	124,5	105	310	180	2,79	63,46	112	53,67	3,94	17	40	kg	8,251	GB2SSCA3021A000	GB2SSCA3044A000
		Psi 6090	inch	4,17	2,07	11,06	3,35	0,55	4,90	4,13	12,20	7,09	0,11	2,50	4,41	2,11	0,16	0,67	1,57	lb	18,19		
GBS6	50	MPa 42	mm	115,5	58,5	316	98	14	134	117	310	190	2,79	79,4	126	63,25	3,94	17	50	kg	11,774	GB2SSCB3021A000	GB2SSCB3044A000
		Psi 6090	inch	4,55	2,30	12,44	3,86	0,55	5,28	4,61	12,20	7,48	0,11	3,13	4,96	2,49	0,16	0,67	1,97	lb	25,96		

**GBS6 SAE J518 S6000 EXTRA LONG - C62**

TYPE	DN	PN																		CS		
																				Carbon Steel		
			A	B	C	D	E	F	G	H	I	L	ØM	ØN	ØP	Q	SW	ØLW	WEIGHT	ITEM CODE		
GBS6	32	MPa 42	mm	89	42,5	322	75	14	107,5	85	310	162,5	2,79	54	91,5	44,45	3,94	17	32	kg	5,828	GB2SXC93021A000
		Psi 6090	inch	3,50	1,67	12,68	2,95	0,55	4,23	3,35	12,20	6,40	0,11	2,13	3,60	1,75	0,16	0,67	1,26	lb	12,85	
GBS6	40	MPa 42	mm	106	52,5	380	85	14	124,5	105	310	180	2,79	63,46	112	53,72	3,94	17	38	kg	8,47	GB2SXCA3021A000
		Psi 6090	inch	4,17	2,07	14,96	3,35	0,55	4,90	4,13	12,20	7,09	0,11	2,50	4,41	2,11	0,16	0,67	1,50	lb	18,67	
GBS6	50	MPa 42	mm	115,5	58,5	385	97,85	14	134	117	310	190	2,79	79,4	126	63,25	3,94	17	48	kg	12,058	GB2SXC93021A000
		Psi 6090	inch	4,55	2,30	15,16	3,85	0,55	5,28	4,61	12,20	7,48	0,11	3,13	4,96	2,49	0,16	0,67	1,89	lb	26,58	