



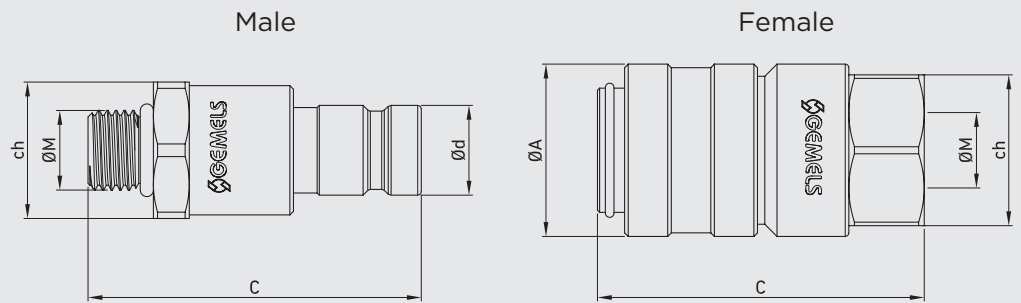
# DG

## ISO 15171-1 - DIAGNOSTIC COUPLINGS

Edition. 21.2

### CS Carbon Steel

- Type: Quick Couplings
- Models: ISO 15171-1
- Sizes: from DN6
- Pressure: up to PN500
- Treatment: Galvanized



Available also  
in patented version:  
ball valve with integrated  
quick coupling.



**CODE DESCRIPTION STRUCTURE**

QC	1/4	M/F	DN6,3	1	B
----	-----	-----	-------	---	---

Type of coupling

DG

Ends

ISO 1179-1	ASME B1.20.1	ISO 11926-1
BSPP	NPT	(SAE J1926-1)
		ORB
G1/8	N 1/8	SAE 4
G1/4	N 1/4	

MALE

FEMALE

DN/ISO

6,3

Body Material

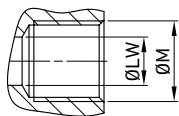
● 1 = 1,0737

Seal material

B = NBR E = FKM\*

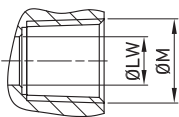
\*On request

• Plugs



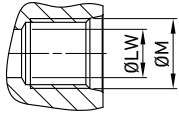
**QUICK COUPLINGS ISO 15171-1 DG (male-female)  
FEMALE THREAD ISO 1179-1 BSPP**

											CS Carbon Steel	
											ITEM CODE	
TYPE	DN	PN		ØA	C	Ød	ch	ØM	WEIGHT			
QC DG G 1/8 MALE	6,3	MPa	50	mm	-	42,8	12,6	19	G 1/8	kg	0,039	NC19G010000
		Psi	7250	inch	-	1,69	0,50			lb	0,09	
QC DG G 1/8 FEMALE		MPa	50	mm	24	50	-	21	G 1/8	kg	0,048	NC20G010000
		Psi	7250	inch	0,94	1,97	-			lb	0,11	
QC DG G 1/4 MALE	6,3	MPa	50	mm	-	42,8	12,6	19	G 1/4	kg	0,049	NC19G010001
		Psi	7250	inch	-	1,69	0,50			lb	0,11	
QC DG G 1/4 FEMALE		MPa	50	mm	24	50	-	21	G 1/4	kg	0,05	NC20G010001
		Psi	7250	inch	0,94	1,97	-			lb	0,11	



**QUICK COUPLINGS ISO 15171-1 DG (male-female)  
FEMALE THREAD ASME B1.20.1 NPT**

											CS Carbon Steel	
											ITEM CODE	
TYPE	DN	PN		ØA	C	Ød	ch	ØM	WEIGHT			
QC DG N 1/8 MALE	6,3	MPa	50	mm	-	42,8	12,6	19	N 1/8	kg	0,039	NC19N010000
		Psi	7250	inch	-	1,69	0,50			lb	0,09	
QC DG N 1/8 FEMALE		MPa	50	mm	24	50	-	21	N 1/8	kg	0,048	NC20N010000
		Psi	7250	inch	0,94	1,97	-			lb	0,11	
QC DG N 1/4 MALE	6,3	MPa	50	mm	-	42,8	12,6	19	N 1/4	kg	0,049	NC19N010001
		Psi	7250	inch	-	1,69	0,50			lb	0,11	
QC DG N 1/4 FEMALE		MPa	50	mm	24	50	-	21	N 1/4	kg	0,05	NC20N010001
		Psi	7250	inch	0,94	1,97	-			lb	0,11	



**QUICK COUPLINGS ISO 15171-1 DG (male-female)  
FEMALE THREAD ISO 11926-1 (SAE J1926-1) ORB**

											CS Carbon Steel	
											ITEM CODE	
TYPE	DN	PN		ØA	C	Ød	ch	ØM	WEIGHT			
QC DG SAE4 MALE	6,3	MPa	50	mm	-	42,8	12,6	19	SAE 4 M	kg	0,049	NC19T010000
		Psi	7250	inch	-	1,69	0,50			lb	0,11	
QC DG SAE 4 FEMALE		MPa	50	mm	24	50	-	21	SAE 4	kg	0,05	NC20S010000
		Psi	7250	inch	0,94	1,97	-			lb	0,11	