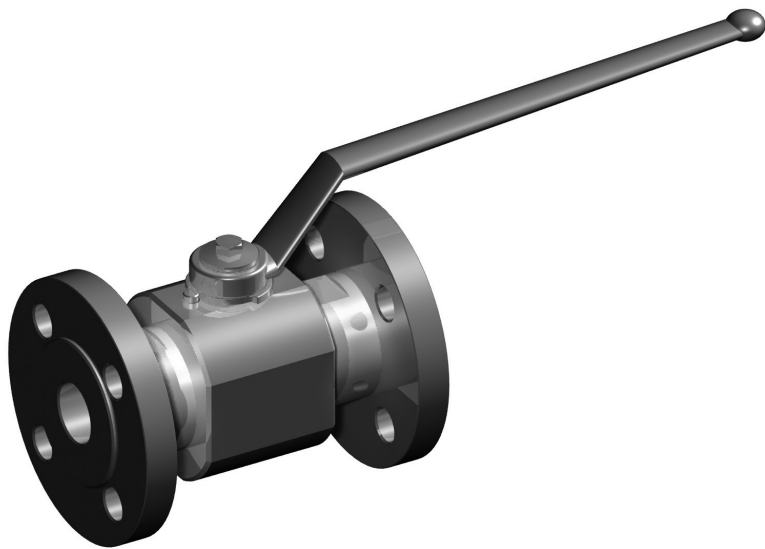


Carbon Steel

GBR 2-WAY HIGH PRESSURE BALL VALVES



GB RF1 DN32 2 2 1 1 A B

Type and way of valve
GBR 2-way high pressure ball valves

Valves dimension of inch
RF1 RF4
DIN3202 F1 DIN3202 F4

Nominal dimension
DN32
DN40
DN50

Body material
2 1,0570

Adapter material
2 1,0570

Stem material
1 1,0737

Ball material
1 1,0737

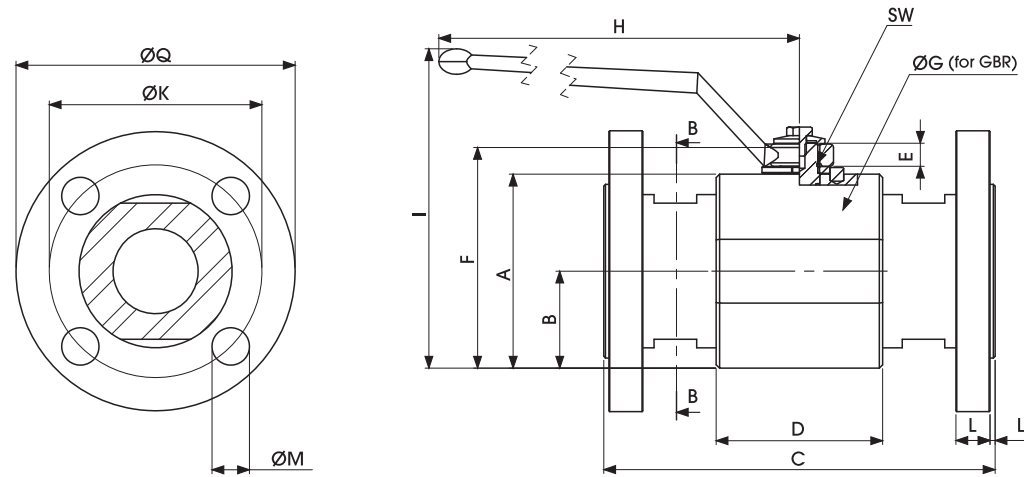
Ball seat material
A POM
D PEEK
G PA612
K GEMPTFE
C PTFE

Adapter and stem seal material
B NBR
E FKM
F EPDM
L MVQ

Specifications

- Type: ball valve GBR 2way
- Body: round
- Material: 1,0570/1,0737
- Ball seats: from DN32 up to DN50
- O-Rings: NBR, FKM, EPDM, MVQ
- Operating pressure: PN 350 depending on valve size and seal materials selected
- Temp range: -20°C to +100°C depending on seal material selected

"The company reserves the right to operate dimensional changes without prior notice".


**GBR DIN3202
F1 10-40**

TYPE	PN	DN	A	B	C	D	E	F	G1	G	H	I	L	L1	M	K	Q	SW	WHEIGHT Kg	ITEM CODE
GBR 10/40	4 Mpa	32	93	46,5	180	75	13,5	111,5	98	300	166,5	18	2	4X18	100	140	17	9,46	GB2RST6Q021A000	
GBR 10/40	4 Mpa	40	107	53,5	200	85	13,5	125,5	113	300	180,5	20	3	4X18	110	150	17	12,58	GB2RST7Q021A000	
GBR 10/40	4 Mpa	50	114	57	230	98	13,5	132,5	123	300	187	20	3	4X18	125	165	17	16,65	GB2RST8Q021A000	

**GBR DIN3202
F1 63**

TYPE	PN	DN	A	B	C	D	E	F	G1	G	H	I	L	L1	M	K	Q	SW	WHEIGHT Kg	ITEM CODE
GBR 63	6,3 Mpa	50	114	57	230	98	13,5	132,5	123	300	187	26	3	4X22	135	180	17	18,7	GB2RST8P021A000	

**GBR DIN3202
F1 100-160**

TYPE	PN	DN	A	B	C	D	E	F	G1	G	H	I	L	L1	M	K	Q	SW	WHEIGHT Kg	ITEM CODE
GBR 100/160	16 Mpa	32	93	46,5	180	75	13,5	111,5	98	300	166,5	26	2	4X18	110	155	17	11,3	GB2RST6Q021A000	
GBR 100/160	16 Mpa	40	107	53,5	200	85	13,5	125,5	113	300	180,5	28	3	4X22	125	170	17	20,5	GB2RST7Q021A000	
GBR 100/160	16 Mpa	50	114	57	230	98	13,5	132,5	123	300	187	30	3	4X26	145	195	17	22	GB2RST8Q021A000	

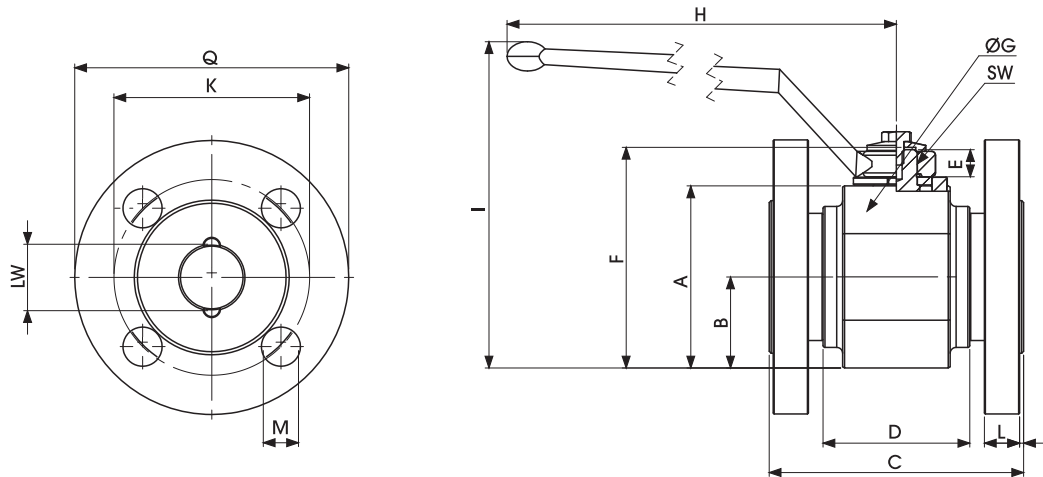
**GBR DIN3202
F1 250**

TYPE	PN	DN	A	B	C	D	E	F	G1	G	H	I	L	L1	M	K	Q	SW	WHEIGHT Kg	ITEM CODE
GBR 250	25 Mpa	40	107	53,5	200	85	13,5	125,5	113	300	180,5	34	3	4X26	135	185	17	21	GB2RST7R021A000	
GBR 250	25 Mpa	50	114	57	230	98	13,5	132,5	123	300	187	38	3	8X26	150	200	17	25	GB2RST8R021A000	

**GBR DIN3202
F1 315**

TYPE	PN	DN	A	B	C	D	E	F	G1	G	H	I	L	L1	M	K	Q	SW	WHEIGHT Kg	ITEM CODE
GBR 315	31,5 Mpa	40	107	53,5	200	85	13,5	125,5	113	300	180,5	38	3	4X26	145	195	17	21	GB2RST7R021A000	
GBR 315	31,5 Mpa	50	114	57	230	98	13,5	132,5	123	300	187	42	3	8X26	160	210	17	27,2	GB2RST8R021A000	

"The company reserves the right to operate dimensional changes without prior notice".



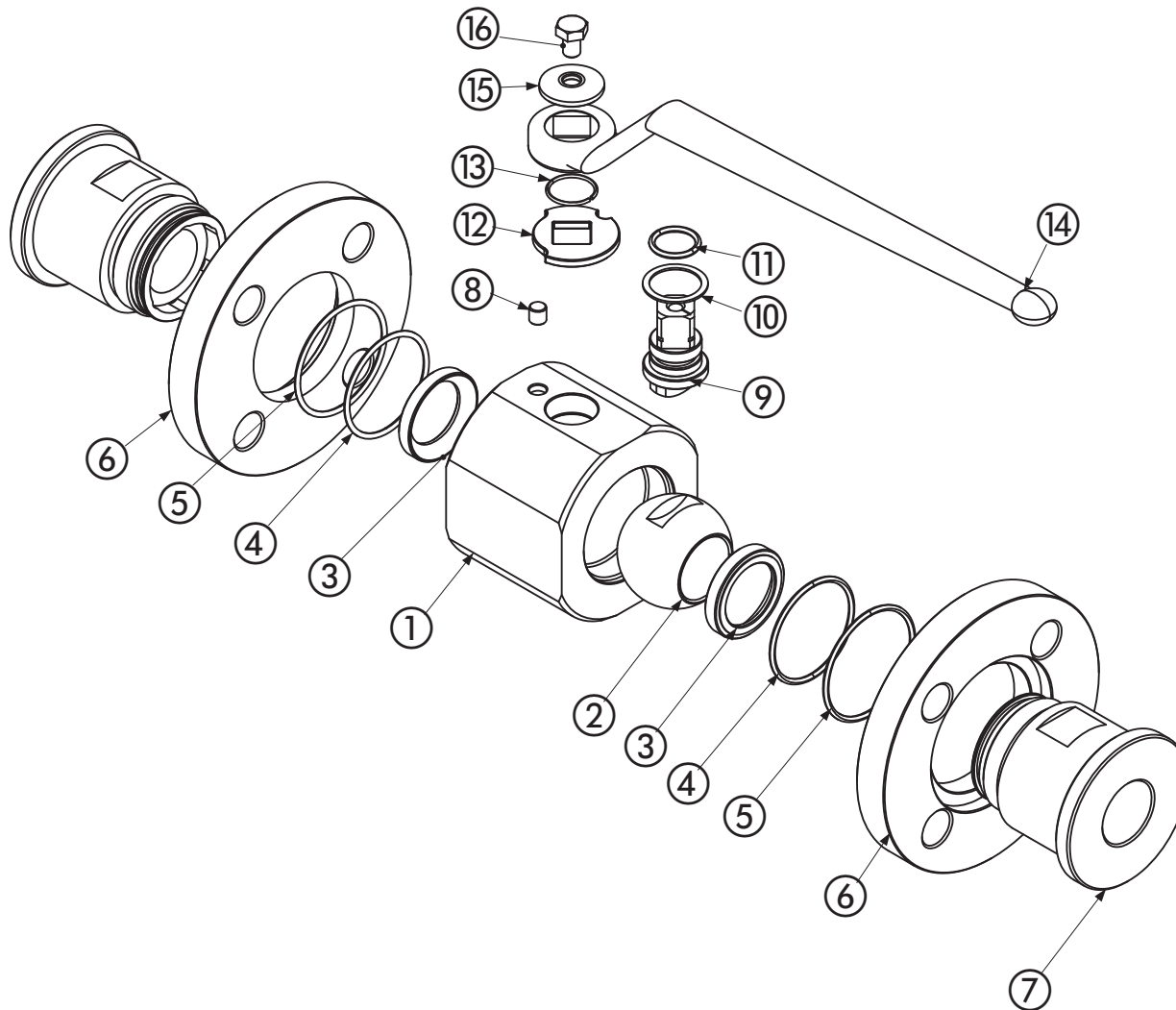
**GBR DIN3202
F4 10-16**

TYPE	PN	DN	A	B	C	D	E	F	G	H	I	L	L1	M	K	LW	SW	WHEIGHT Kg	ITEM CODE
GBR 10/16	1,6 Mpa	32	93	46,5	130	75	13,5	111,5	98	300	166,5	18	2	4X18	100	32	17	8,007	GB2RRT6N021A000
GBR 10/16	1,6 Mpa	40	107	53,5	140	85	13,5	125,5	113	300	180,5	18	3	4X18	110	40	17	10,242	GB2RRT7N021A000
GBR 10/16	1,6 Mpa	50	114	57	150	98	13,5	132,5	123	300	187	20	3	4X18	125	50	17	13,129	GB2NNT8N021A000

**GBR DIN3202
F4 25-40**

TYPE	PN	DN	A	B	C	D	E	F	G	H	I	L	L1	M	K	LW	SW	WHEIGHT Kg	ITEM CODE
GBR 25/40	4 Mpa	32	93	46,5	130	75	13,5	111,5	98	300	166,5	18	2	4X18	100	32	17	8,007	GB2RRT6O021A000
GBR 25/40	4 Mpa	40	107	53,5	140	85	13,5	125,5	113	300	180,5	18	3	4X18	110	40	17	10,242	GB2RRT7O021A000
GBR 25/40	4 Mpa	50	114	57	150	98	13,5	132,5	123	300	187	20	3	4X18	125	50	17	13,129	GB2RRT8O021A000

"The company reserves the right to operate dimensional changes without prior notice".

GBR 2-WAY HIGH PRESSURE BALL VALVES

Pos	Description	Material	Q.tà
1	Body	1,0507	1
2	Ball	1,0737	1
3	Ball seat	POM	2
4	Adapter o-ring	NBR	2
5	Adapter o-ring	NBR	2
6	Flange	1,0507	2
7	Adapter	1,0507	2
8	Spine	1,0737	1
9	Stem	1,0737	1
10	Stem ring	POM	1
11	Stem o-ring	NBR	1
12	Washer	1,0116	1
13	Seeger	1,4301	1
14	Handle	ZINC	1
15	Washer	1,0737	1
16	Screw	DIN 6921 8.8	1

On request

- O-Ring in EPDM, FFKM, MQV
- Seals in PEEK, PA 612, RPTFE, GEMPTFE
- Stem in stainless steel 1,4404
- Ball in stainless steel 1,4404
- Pressure Class PN 100 to PN 315
- Pneumatic and electrical actuator
- Locking device

• For further special requests please consult our technical/commercial service

"The company reserves the right to operate dimensional changes without prior notice".