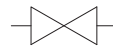
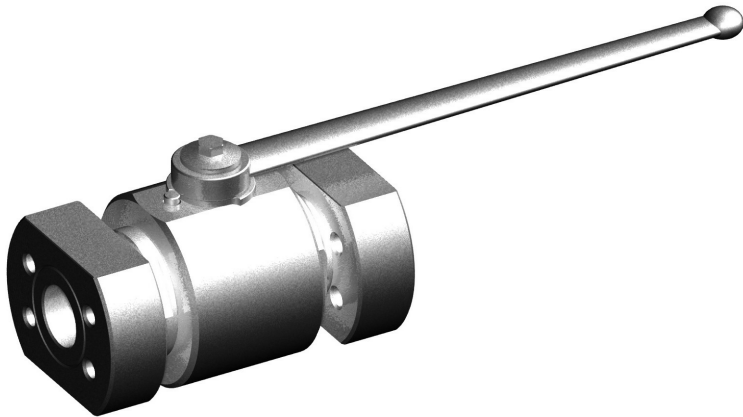


Stainless Steel

GBF 2-WAY HIGH PRESSURE BALL VALVES



GB F3 DN32 4 4 4 4 A B

Type and way of valve
GB 2-way high pressure ball valves

Valves dimension of pressure (psi)
F3 S3000 F6 S6000

Nominal dimension
DN32
DN40
DN50

Body material
4 1,4404

Adapter material
4 1,4404

Stem material
4 1,4404

Ball material
4 1,4404

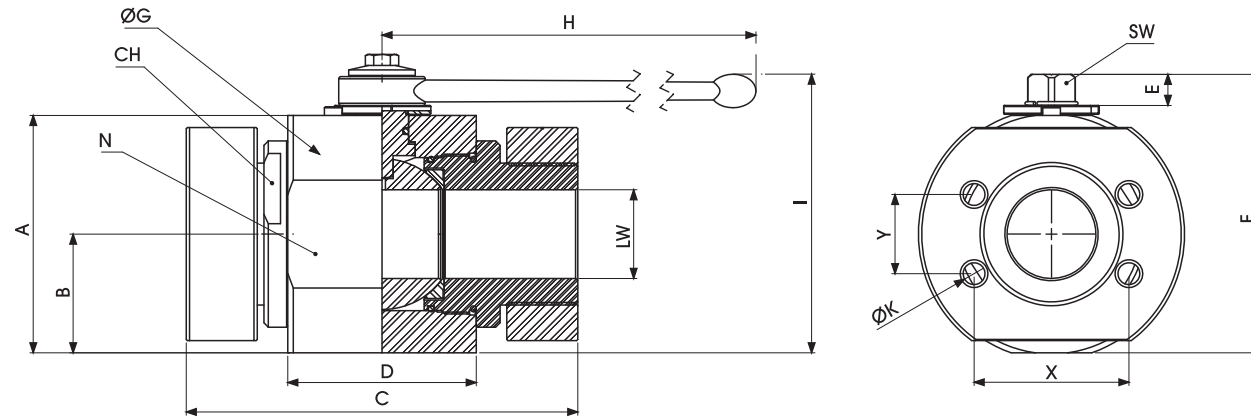
Ball seat material
A POM
D PEEK
G PA612
K GEMPTFE
C PTFE

Adapter and stem seal material
B NBR
E FKM
F EPDM
L MVQ

Specifications

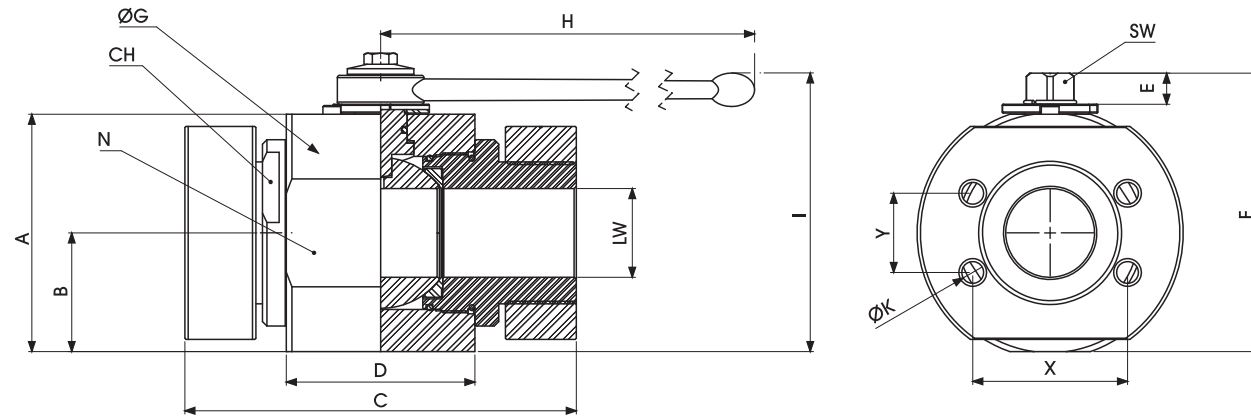
- Type: ball valve GB 2way
- Body: round
- Material: 1,4404/1,4404
- Ball seats: from DN32 up to DN50
- O-Rings: NBR, FKM, EPDM, MVQ
- Operating pressure: S3000 (210 bar), S6000 (350 bar) depending on valve size and seal materials selected
- Temp range: -60°C to +230°C depending on seal material selected

"The company reserves the right to operate dimensional changes without prior notice".



GBF SAE J518 S3000
Standard

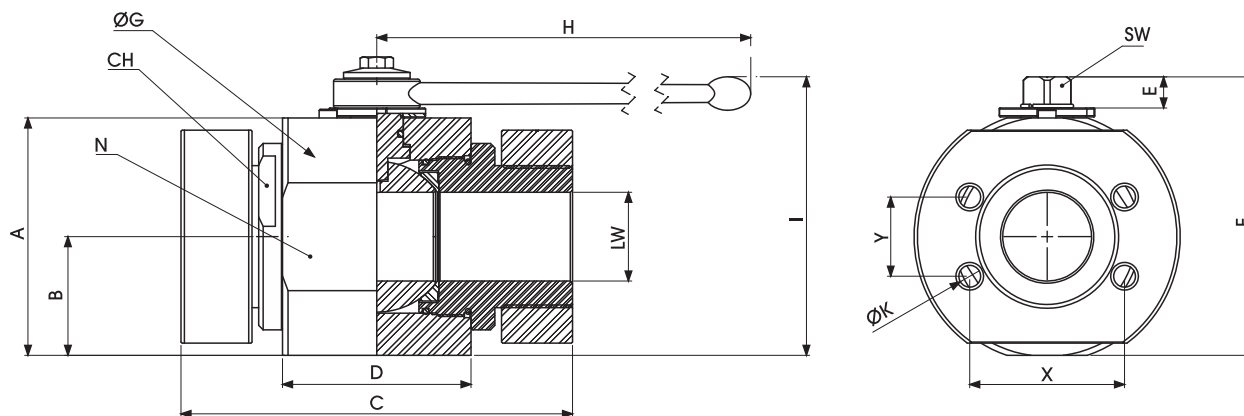
TYPE	PN	DN	A	B	C	D	E	F	ØG	H	I	N	X	Y	K	CH	SW	LW	WEIGHT Kg	ITEM CODE
GBF3	4000 Psi	32	93	46,5	172	75	13,5	111,5	98	300	120,5	88	58,7	30,2	M10	60	17	32	8,102	GB2FFC3L044A000
GBF3	3000 Psi	40	107	53,5	176,5	85	13,5	125,5	113	300	134,5	102	69,8	35,7	M12	75	17	40	11,142	GB2FFC4L044A000
GBF3	3000 Psi	50	114	57	196	98	13,5	132,5	123	300	141,5	118	77,8	42,9	M12	85	17	50	15,343	GB2FFC5L044A000



GBF SAE J518 S3000 UNC
Standard

TYPE	PN	DN	A	B	C	D	E	F	ØG	H	I	N	X	Y	K	CH	SW	LW	WEIGHT Kg	ITEM CODE
GBF3	4000 Psi	32	93	46,5	172	75	13,5	111,5	98	300	120,5	88	58,7	30,2	7/16-14 UNC	60	17	32	8,102	GB2FUC3L044A000
GBF3	3000 Psi	40	107	53,5	176,5	85	13,5	125,5	113	300	134,5	102	69,8	35,7	1/2-13 UNC	75	17	40	11,142	GB2FUC4L044A000
GBF3	3000 Psi	50	114	57	196	98	13,5	132,5	123	300	141,5	118	77,8	42,9	1/2-13 UNC	85	17	50	15,343	GB2FUC5L044A000

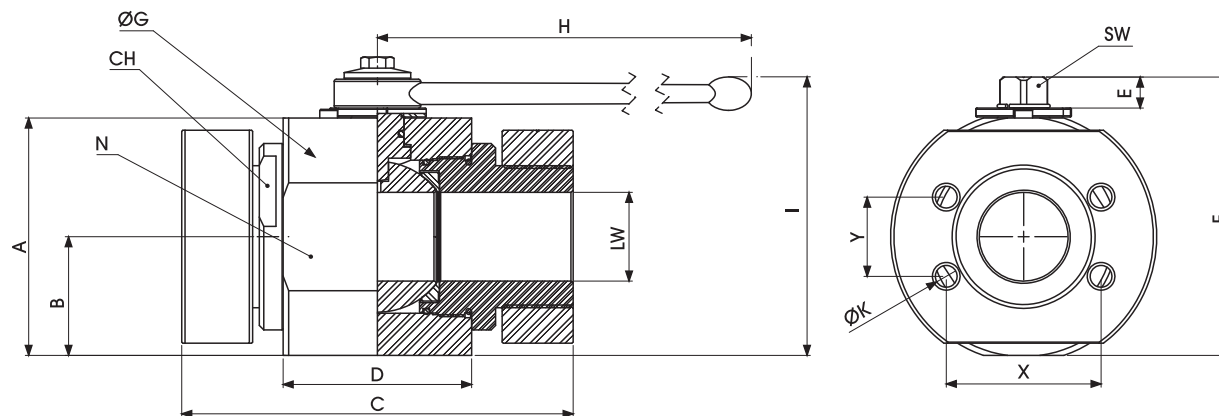
"The company reserves the right to operate dimensional changes without prior notice".



GBF SAE J518 S6000

Standard

TYPE	PN	DN	A	B	C	D	E	F	ØG	H	I	N	X	Y	K	CH	SW	LW	WEIGHT Kg	ITEM CODE
GBF6	5000 Psi	32	93	46,5	172	75	13,5	111,5	98	300	120,5	88	66,7	31,8	M14	60	17	32	8,102	GB2FFC93044A000
GBF6	5000 Psi	40	107	53,5	176,5	85	13,5	125,5	113	300	134,5	102	79,4	36,5	M16	75	17	40	11,142	GB2FFCA3044A000
GBF6	5000 Psi	50	114	57	196	98	13,5	132,5	123	300	141,5	118	96,8	44,5	M20	80	17	50	15,343	GB2FFCB3044A000



GBF SAE J518 S3000

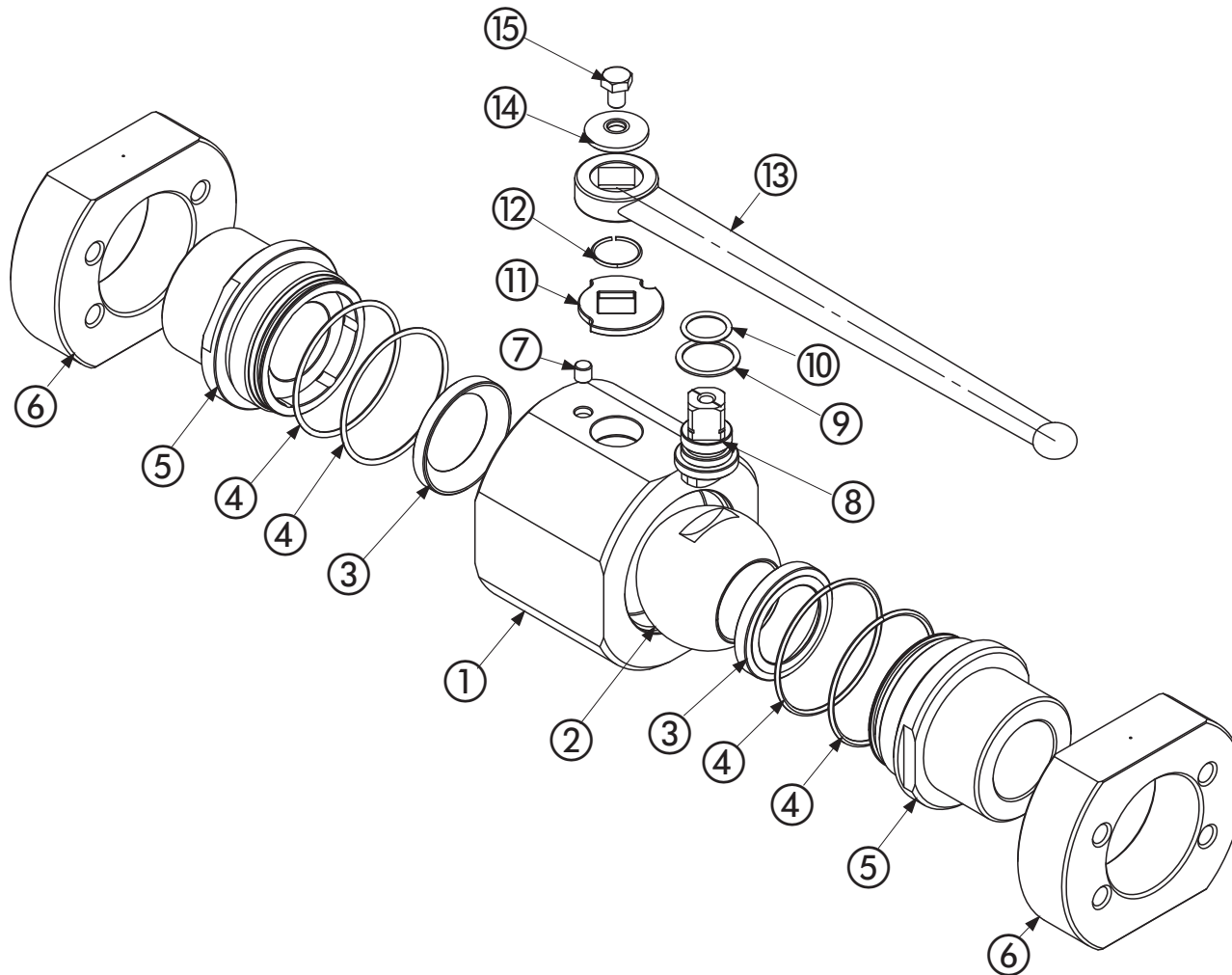
UNC

Standard

TYPE	PN	DN	A	B	C	D	E	F	ØG	H	I	N	X	Y	K	CH	SW	LW	WEIGHT Kg	ITEM CODE
GBF6	5000 Psi	32	93	46,5	172	75	13,5	111,5	98	300	120,5	88	66,7	31,8	1/2-13-UNC	60	17	32	8,102	GB2FUC93044A000
GBF6	5000 Psi	40	107	53,5	176,5	85	13,5	125,5	113	300	134,5	102	79,4	36,5	5/8-11 UNC	75	17	40	11,142	GB2FUCA3044A000
GBF6	5000 Psi	50	114	57	196	98	13,5	132,5	123	300	141,5	118	96,8	44,5	3/4-10 UNC	85	17	50	15,343	GB2FUCB3044A000

"The company reserves the right to operate dimensional changes without prior notice".

GBF 2-WAY HIGH PRESSURE BALL VALVES



Pos	Description	Material	Q.tà
1	Body	1,4044	1
2	Ball	1,4044	1
3	Ball seat	POM	2
4	Adapter o-ring	NBR	4
5	Adapter	1,4044	2
6	Flange	1,4044	2
7	Spine	1,4301	1
8	Stem	1,4301	1
9	Stem ring	POM	1
10	Stem o-ring	NBR	1
11	Washer	1,4301	1
12	Seeger	1,4301	1
13	Handle	1,4301	1
14	Washer	1,4301	1
15	Screw	ISO4017 A2	1

On request

- Reduced bore
- O-Ring in EPDM, FFKM, MQV
- Seals in PEEK, PA 612, RPTFE, GEMPTFE
- Pressure Class PN 100 to PN 350
- Pneumatic and electrical actuator
- Locking device

• For further special requests please consult our technical/commercial service

"The company reserves the right to operate dimensional changes without prior notice".