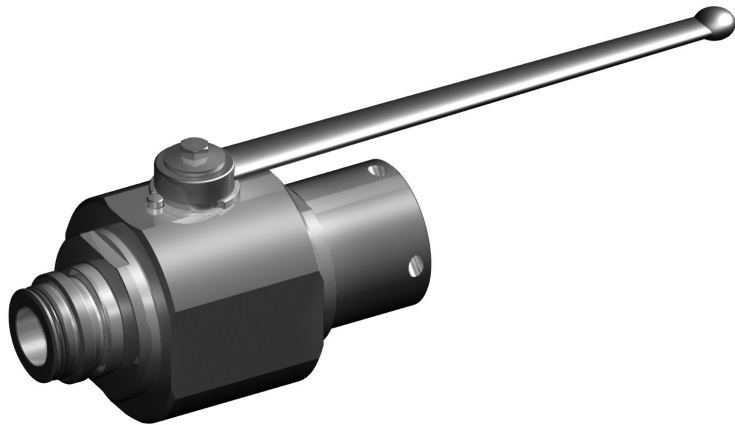


Carbon Steel

GBC 2-WAY HIGH PRESSURE BALL VALVES



GBC SAE32 M DN32 2 2 1 1 A B

Type and way of valve
GBC 2-way high pressure ball valves

Valves dimension of pressure (psi)

MALE	FEMALE	MALE-FEMALE
SAE20	SAE20	SAE20
SAE24	SAE24	SAE24
SAE32	SAE32	SAE32

Nominal dimension
 DN32
 DN40
 DN50

Body material
 2 1,0570

Adapter material
 2 1,0570

Stem material
 1 1,0737

Ball material
 1 1,0737

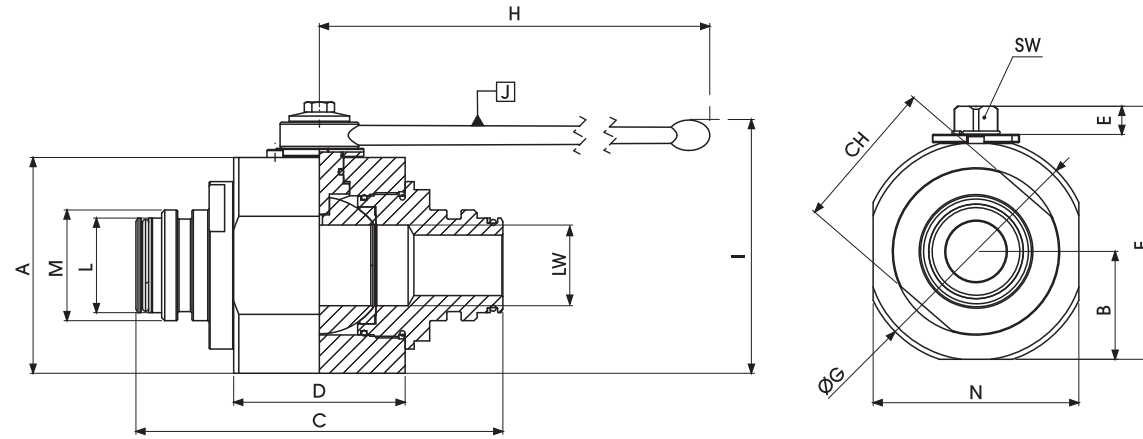
Ball seat material
 A POM
 D PEEK
 G PA612
 K GEMPTFE
 C PTFE

Adapter and stem seal material
 B NBR
 E FKM
 F EPDM
 L MVQ

Specifications

- Type: ball valve GBC 2way
- Body: round
- Material: 1,0570/1,0737
- Ball seats: from DN32 up to DN50
- O-Rings: NBR, FKM, EPDM, MVQ
- Operating pressure: 350 Bar depending on valve size and seal materials selected
- Temp range: -20°C to +100°C depending on seal material selected

"The company reserves the right to operate dimensional changes without prior notice".

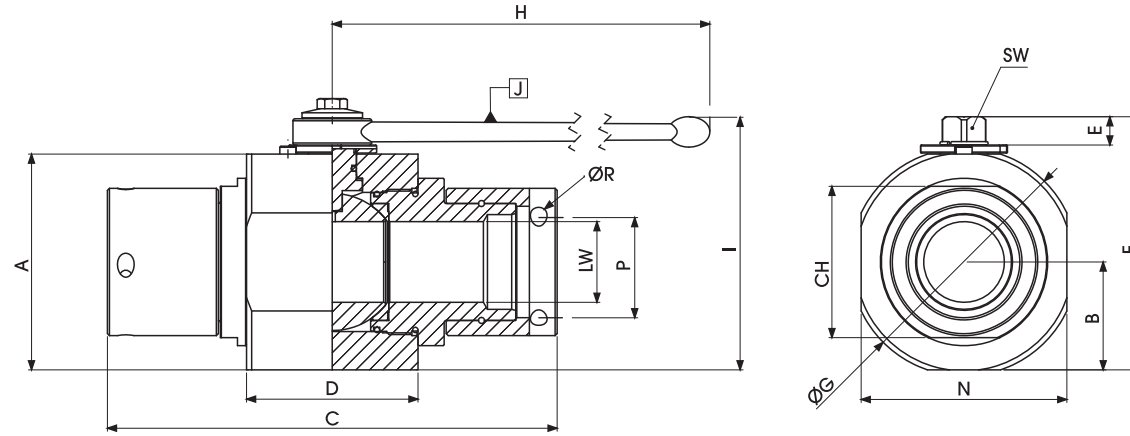


**GBC MALE
SAEJ1467**

Standard

TYPE	PN	DN	A	B	C	D	E	F	ØG	H	I	L	M	N	CH	SW	LW	WEIGHT Kg	ITEM CODE
GBC SAE20	35 MPa	32	93	75	163	75	14	112	98	300	112	38	46	88	60	17	32	5,87	GB2MCE53021A000
GBC SAE24	35 MPa	40	107	85	182	85	14	126	113	300	126	45	56	102	75	17	40	8,257	GB2MCE63021A000
GBC SAE32	35 MPa	50	114	98	195	98	14	133	123	300	133	56	64	118	85	17	50	10,38	GB2MCE73021A000

"The company reserves the right to operate dimensional changes without prior notice".

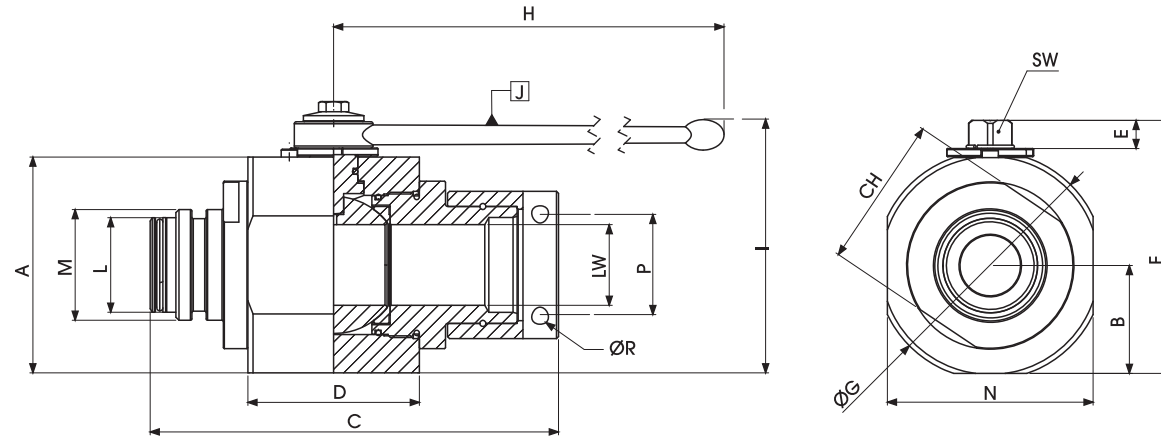


**GBC FEMALE
SAEJ1467**

Standard

TYPE	PN	DN	A	B	C	D	E	F	ØG	H	I	N	CH	P	R	SW	LW	WEIGHT Kg	ITEM CODE
GBC SAE20	35 MPa	32	93	75	163	75	14	112	98	300	112	88	60	43	8,5	17	32	5,87	GB2FCE53021A000
GBC SAE24	35 MPa	40	107	85	182	85	14	126	113	300	126	102	75	52	8,5	17	40	8,257	GB2FCE63021A000
GBC SAE32	35 MPa	50	114	98	195	98	14	133	123	300	133	118	85	62	8,5	17	50	10,38	GB2FCE73021A000

"The company reserves the right to operate dimensional changes without prior notice".



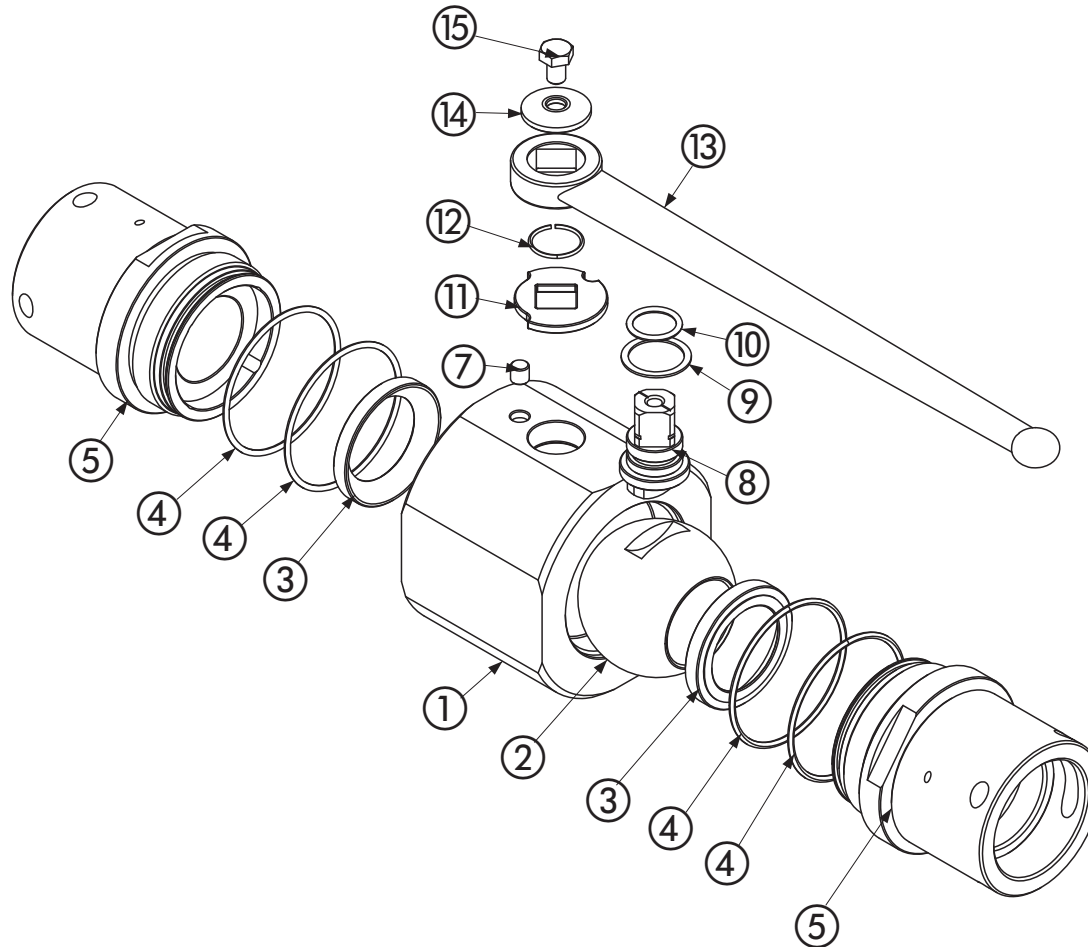
GBC MALE FEMALE SAEJ1467

Standard

TYPE	PN	DN	A	B	C	D	E	F	ØG	H	I	L	M	N	CH	P	R	SW	LW	WEIGHT Kg	ITEM CODE
GBC SAE20	35 MPa	32	93	75	163	75	14	112	98	300	112	38	46	88	60	43	8,5	17	32	5,87	GB2MFE53021A000
GBC SAE24	35 MPa	40	107	85	182	85	14	126	113	300	126	45	56	102	75	52	8,5	17	40	8,257	GB2MFE63021A000
GBC SAE32	35 MPa	50	114	98	195	98	14	133	123	300	133	56	64	118	85	62	8,5	17	50	10,38	GB2MFE73021A000

"The company reserves the right to operate dimensional changes without prior notice".

GBC 2-WAY HIGH PRESSURE BALL VALVES



Pos	Description	Material	Q.tà
1	Body	1,0570	1
2	Ball	1,0737	1
3	Ball seat	POM	2
4	Adapter o-ring	NBR	4
5	Adapter	1,0570	2
6	Spine	1,0737	1
7	Stem	1,0737	1
8	Stem ring	POM	1
9	Stem o-ring	NBR	1
10	Washer	1,0116	1
11	Seeger	1,4301	1
12	Handle	1,0116	1
13	Washer	1,0737	1
14	Screw	ISO4017 8.8	1

On request

- Reduced bore
- O-Ring in EPDM, FFKM, MQV
- Seals in PEEK, PA 612, RPTFE, GEMPTFE
- Special Threads
- Stem in stainless steel 1,4404
- Ball in stainless steel 1,4404
- Pressure Class PN 100 to PN 350
- Pneumatic and electrical actuator
- Locking device

• For further special requests please consult our technical/commercial service

"The company reserves the right to operate dimensional changes without prior notice".