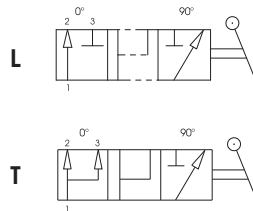
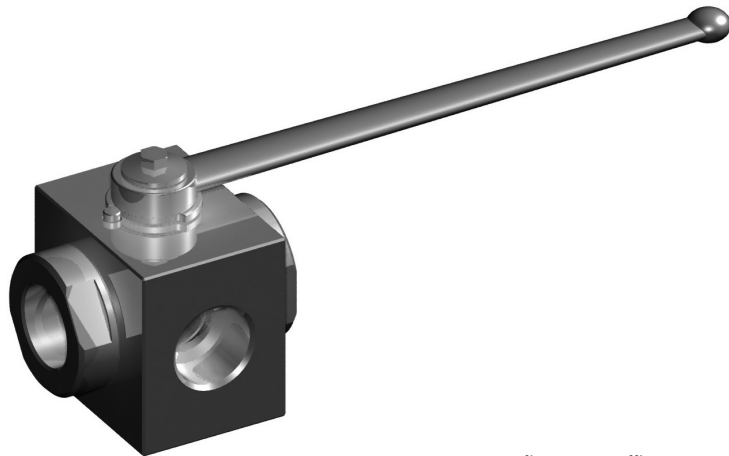


Carbon Steel

GB3 3-WAY HIGH PRESSURE BALL VALVES



GB3 G 1" 1/2 DN40 2 2 1 1 A B

Type and way of valve _____
GB3 3-way high pressure ball valves

Valves dimension of inch _____
 GAS ANSI/ASME
 DIN/ISO 228 B1.20.1 NPT
 G 1"1/4 N 1"1/4
 G 1"1/2 N 1"1/2
 G 2" R N 2" R
 G 2" N 2"

Nominal dimension _____
 DN32
 DN40
 DN50

Body material _____
 2 1,0570

Adapter material _____
 2 1,0570

Stem material _____
 1 1,0737

Ball material _____
 1 1,0737

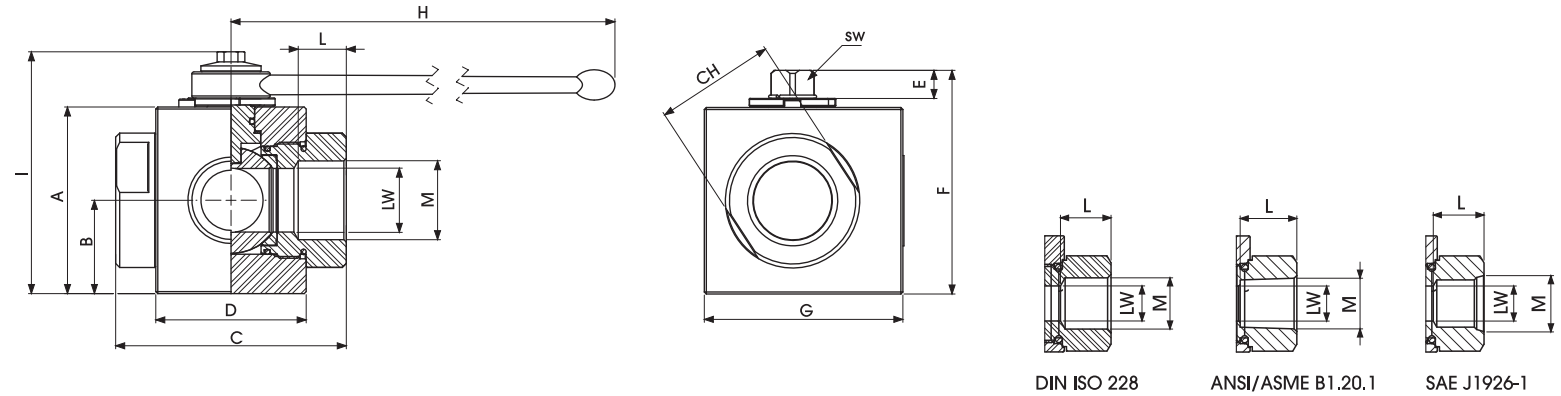
Ball seat material _____
A POM
D PEEK
G PA612
K GEMPTFE
C PTFE

Adapter and stem seal material _____
B NBR
E FKM
F EPDM
L MVQ

Specifications

- Type: ball valve GB 3way
- Body: square
- Material: 1,0570/1,0737
- Ball seats: from DN32 up to DN50
- O-Rings: NBR, FKM, EPDM, MVQ
- Operating pressure: 350 Bar depending on valve size and seal materials selected
- Temp range: -20°C to +100°C depending on seal material selected

"The company reserves the right to operate dimensional changes without prior notice".

**GB3 DIN ISO 228 BSP**

Standard

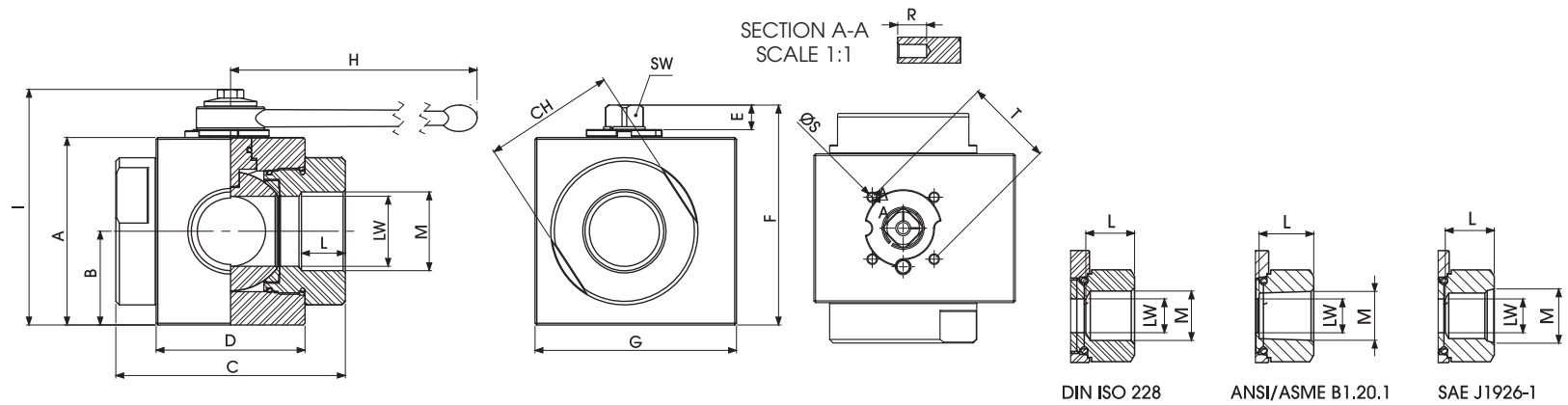
TYPE	PN	DN	A	B	C	D	E	F	G	H	I	L	M	CH	SW	LW	WEIGHT Kg	ITEM CODE
GB3 G 1" 1/4	35 MPa	32	93	46,5	115	75	13,5	111,5	99	300	120,5	24	G 1" 1/4	60	17	32	5,725	GB3GGT63021A000
GB3 G 1" 1/2	35 MPa	40	107	53,5	131	85	13,5	125,5	115	300	134,5	25	G 1" 1/2	75	17	40	8,632	GB3GGT73021A000
GB3 G 2" R	35 MPa	40	107	53,5	131	85	13,5	125,5	115	300	134,5	25	G 2"	75	17	40	8,632	GB3GGR82021A000
GB3 G 2"	35 MPa	50	114	57	140	98	13,5	132,5	128	300	141,5	27	G 2"	85	17	50	10,607	GB3GGT83021A000

**GB3 ANSI/ASME
B1.20.1 NPT**

Standard

TYPE	PN	DN	A	B	C	D	E	F	G	H	I	L	M	CH	SW	LW	WEIGHT Kg	ITEM CODE
GB3 N 1" 1/4	35 MPa	32	93	46,5	115	75	13,5	111,5	99	300	120,5	24	N 1" 1/4	60	17	32	5,725	GB3NNT63021A000
GB3 N 1" 1/2	35 MPa	40	107	53,5	131	85	13,5	125,5	115	300	134,5	25	N 1" 1/2	75	17	40	8,632	GB3NNT73021A000
GB3 N 2" R	35 MPa	40	107	53,5	131	85	13,5	125,5	115	300	134,5	25	N 2"	75	17	40	8,632	GB3NNR82021A000
GB3 N 2"	35 MPa	50	114	57	140	98	13,5	132,5	128	300	141,5	27	N 2"	85	17	50	10,607	GB3NNT83021A000

"The company reserves the right to operate dimensional changes without prior notice".



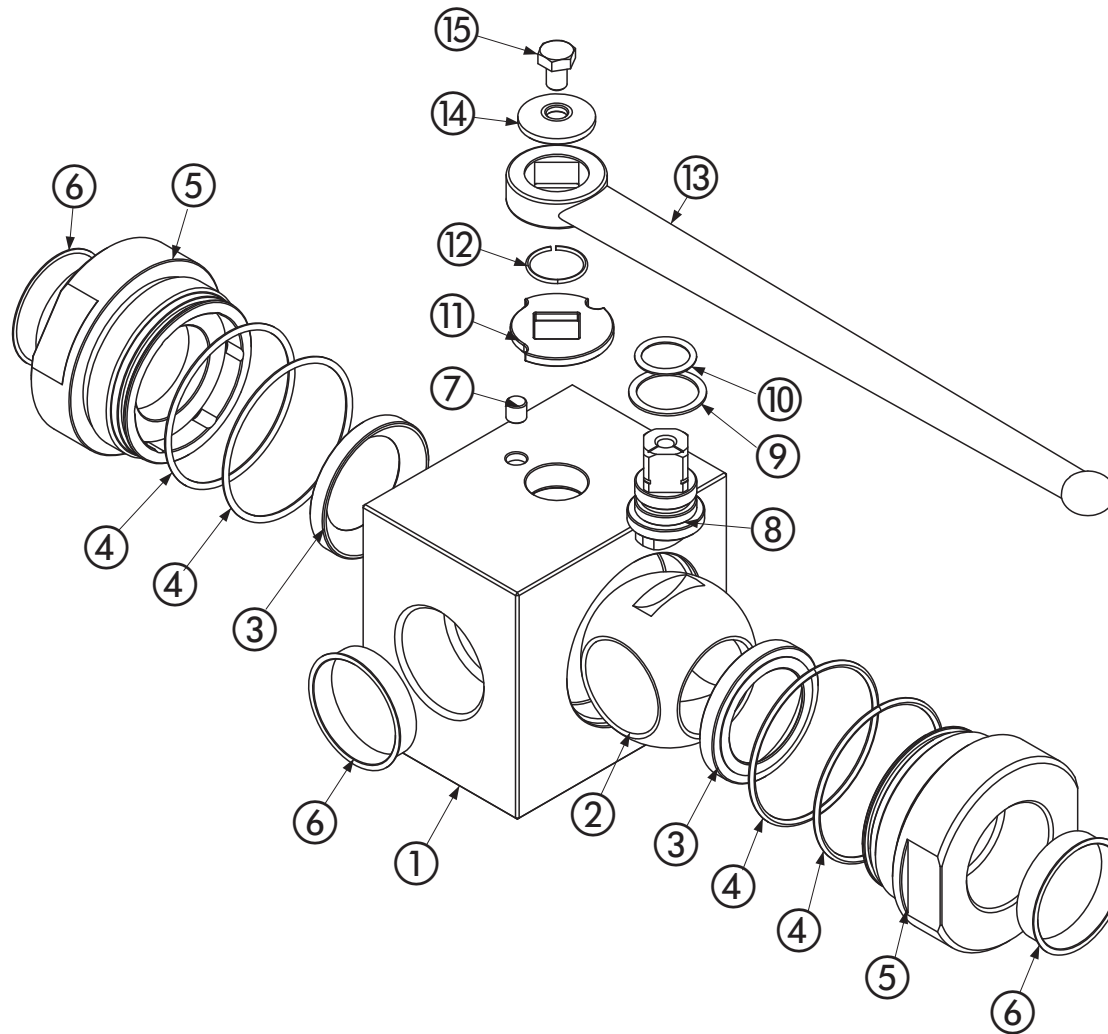
GB3 DIN ISO 228 BSP
Fixing holes DIN/ISO5211

TYPE	PN	DN	A	B	C	D	E	F	G	H	I	L	M	CH	R	ØS	T	ISO5211	SW	LW	WEIGHT Kg	ITEM CODE
GB3 G 1" 1/4	35 MPa	32	93	46,5	115	75	13,5	111,5	99	300	120,5	24	G 1" 1/4	60	11	M6	50	F05	17	32	5,725	GB3GGT63021AF50
GB3 G 1" 1/2	35 MPa	40	107	53,5	131	85	13,5	125,5	115	300	134,5	25	G 1" 1/2	75	11	M6	50	F05	17	40	8,632	GB3GGT73021AF50
GB3 G 2" R	35 MPa	40	107	53,5	131	85	13,5	125,5	115	300	134,5	25	G 2"	75	11	M6	50	F05	17	40	8,632	GB3GGR82021AF50
GB3 G 2"	35 MPa	50	114	57	140	98	13,5	132,5	128	300	141,5	27	G 2"	85	11	M6	50	F05	17	50	10,607	GB3GGT83021AF50

GB3 ANSI/ASME B1.20.1 NPT
Fixing holes DIN/ISO5211

TYPE	PN	DN	A	B	C	D	E	F	G	H	I	L	M	CH	R	ØS	T	ISO5211	SW	LW	WEIGHT Kg	ITEM CODE
GB3 N 1" 1/4	35 MPa	32	93	46,5	115	75	13,5	111,5	99	300	120,5	24	N 1" 1/4	60	11	M6	50	F05	17	32	5,725	GB3NNT63021AF50
GB3 N 1" 1/2	35 MPa	40	107	53,5	131	85	13,5	125,5	115	300	134,5	25	N 1" 1/2	75	11	M6	50	F05	17	40	8,632	GB3NNT73021AF50
GB3 N 2" R	35 MPa	40	107	53,5	131	85	13,5	125,5	115	300	134,5	25	N 2"	75	11	M6	50	F05	17	40	8,632	GB3NNR82021AF50
GB3 N 2"	35 MPa	50	114	57	140	98	13,5	132,5	128	300	141,5	27	N 2"	85	11	M6	50	F05	17	50	10,607	GB3NNT83021AF50

"The company reserves the right to operate dimensional changes without prior notice".

GB3 3-WAY HIGH PRESSURE BALL VALVES

Pos	Description	Material	Q.tà
1	Body	1,0570	1
2	Ball	1,0737	1
3	Ball seat	POM	2
4	Adapter o-ring	NBR	4
5	Adapter	1,0570	2
6	Caps	PVC	3
7	Spine	1,0737	1
8	Stem	1,0737	1
9	Stem ring	POM	1
10	Stem o-ring	NBR	1
11	Washer	1,0116	1
12	Seeger	1,4301	1
13	Handle	1,0116	1
14	Washer	1,0116	1
15	Screw	ISO4017 8.8	1

On request

- Reduced bore
- O-Ring in EPDM, FFKM, MQV
- Seals in PEEK, PA 612, RPTFE, GEMPTFE
- Special Threads
- Stem in stainless steel 1,4404
- Ball in stainless steel 1,4404
- Pressure Class PN 100 to PN 350
- Pneumatic and electrical actuator
- Locking device

• For further special requests please consult our technical/commercial service

"The company reserves the right to operate dimensional changes without prior notice".