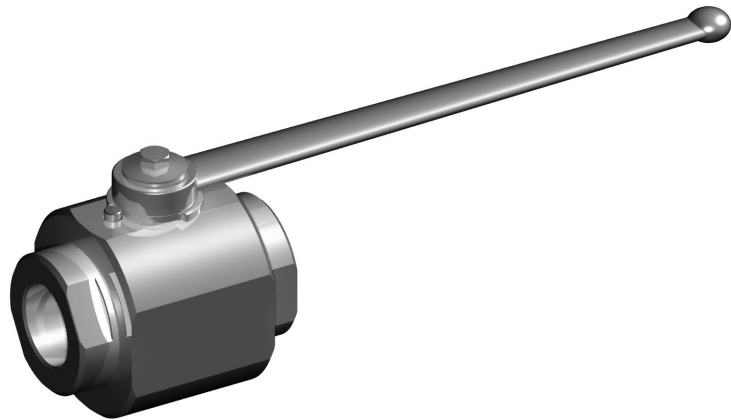


Carbon Steel



GB2 2-WAY HIGH PRESSURE BALL VALVES

GB2 G1" 1/4 DN32 2 2 1 1 A B

Type and way of valve
GB2 2-way high pressure ball valves

Valves dimension of inch

	GAS	ANSI/ASME	SAE	DIN 2353	DIN 2353
DIN/ISO 228	B1.20.1 NPT	J1926-1	HEAVY SERIES	38S	LIGHT SERIES
G1" 1/4	N1" 1/4	SAE20			35L
G1" 1/2	N1" 1/2	SAE24			42L
G2" R	N2" R	SAE32			
G2"	N2"				

Nominal dimension

- DN32
- DN40
- DN50

Body material

- 2 1,0570

Adapter material

- 2 1,0570

Stem material

- 1 1,0737

Ball material

- 1 1,0737

Ball seat material

- A POM
- D PEEK
- G PA612
- K GEMPTFE
- C PTFE

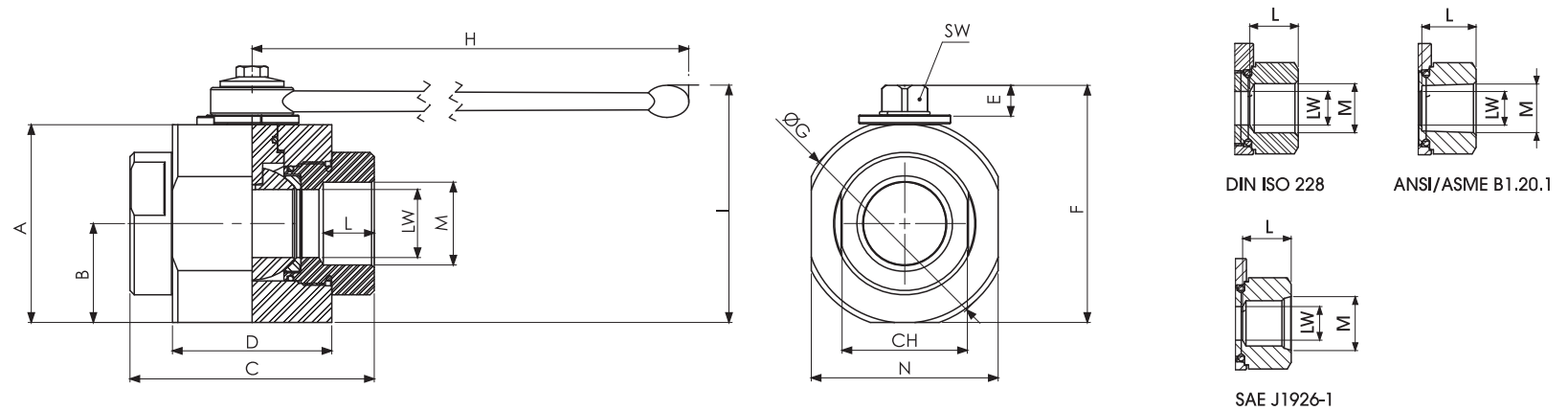
Adapter and stem seal material

- B NBR
- E FKM
- F EPDM
- L MVQ

Specifications

- Type: ball valve GB 2way
- Body: round
- Material: 1,0570 / 1,0737
- Ball seats: from DN32 up to DN50
- O-Rings: NBR, FKM, EPDM, MVQ
- Operating pressure: 350 Bar depending on valve size and seal materials selected
- Temp range: -20°C to +100°C depending on seal material selected

"The company reserves the right to operate dimensional changes without prior notice".

**GB2 DIN ISO 228 BSP**

Standard

TYPE	PN	DN	A	B	C	D	E	F	ØG	H	I	L	M	N	CH	SW	LW	WEIGHT Kg	ITEM CODE
GB2 G1 1/4	35 MPa	32	93	46,5	115	75	13,5	111,5	98	300	120,5	24	G 1"1/4	88	60	17	32	6,975	GB2GGT63021A000
GB2 G1 1/2	35 MPa	40	107	53,5	131	85	13,5	125,5	113	300	134,5	25	G 1"1/2	102	75	17	40	7,393	GB2GGT73021A000
GB2 G2R	35 MPa	40	107	53,5	131	85	13,5	125,5	113	300	134,5	25	G 2"	102	75	17	40	6,975	GB2GGR83021A000
GB2 G2	35 MPa	50	114	57	140	98	13,5	132,5	123	300	141,5	27	G 2"	118	85	17	50	9,046	GB2GGT83021A000

GB2 ANSI/ASME B1.20.1 NPT

Standard

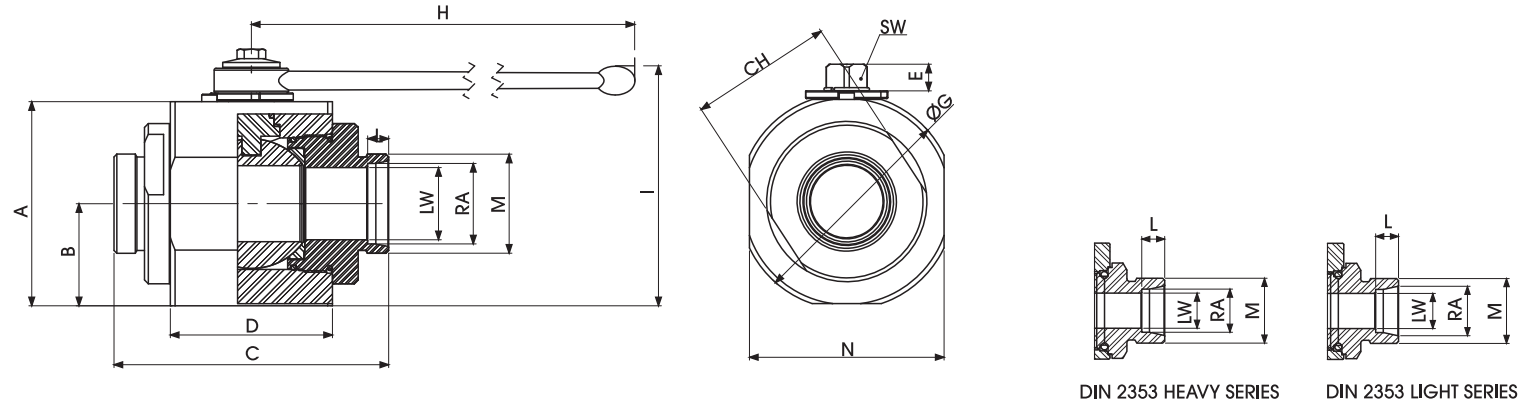
TYPE	PN	DN	A	B	C	D	E	F	ØG	H	I	L	M	N	CH	SW	LW	WEIGHT Kg	ITEM CODE
GB2 N1 1/4	35 MPa	32	93	46,5	115	75	13,5	111,5	98	300	120,5	24	N 1"1/4	88	60	17	32	6,975	GB2NNT63021A000
GB2 N1 1/2	35 MPa	40	107	53,5	131	85	13,5	125,5	113	300	134,5	25	N 1"1/2	102	75	17	40	7,393	GB2NNT73021A000
GB2 N2R	35 MPa	40	107	53,5	131	85	13,5	125,5	113	300	134,5	25	N 2"	102	75	17	40	6,975	GB2NNR83021A000
GB2 N2	35 MPa	50	114	57	140	98	13,5	132,5	123	300	141,5	27	N 2"	118	85	17	50	9,046	GB2NNT83021A000

GB2 SAE J1926-1

Standard

TYPE	PN	DN	A	B	C	D	E	F	ØG	H	I	L	M	N	CH	SW	LW	WEIGHT Kg	ITEM CODE
GB2 SAE20	35 MPa	32	93	46,5	115	75	13,5	111,5	98	300	120,5	24	1"5/8 UN	88	60	17	32	6,975	GB2EEE53021A000
GB2 SAE24	35 MPa	40	107	53,5	131	85	13,5	125,5	113	300	134,5	25	1"7/8 UN	102	75	17	40	7,393	GB2EEE63021A000
GB2 SAE32	35 MPa	50	114	57	140	98	13,5	132,5	123	300	141,5	27	2"1/2 UN	118	85	17	50	9,046	GB2EEE73021A000

"The company reserves the right to operate dimensional changes without prior notice".



**GB2 DIN 2353
HEAVY SERIES**

Standard

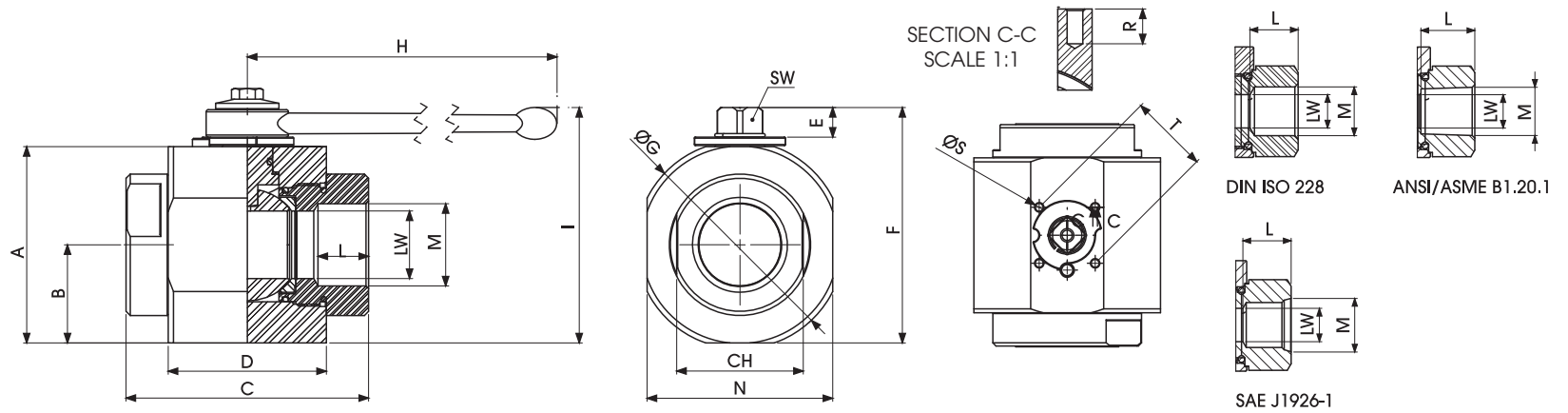
TYPE	PN	DN	A	B	C	D	E	F	ØG	H	I	L	M	N	CH	SW	LW	RA	WEIGHT Kg	ITEM CODE
GB2 38S	35 MPa	32	93	46,5	146	75	13,5	111,5	98	300	120,5	16	52X2	88	60	17	32	38,3	5,229	GB2DDS93021A000

**GB2 DIN 2353
LIGHT SERIES**

Standard

TYPE	PN	DN	A	B	C	D	E	F	ØG	H	I	L	M	N	CH	SW	LW	RA	WEIGHT Kg	ITEM CODE
GB2 35L	35 MPa	32	93	46,5	135	75	13,5	111,5	98	300	120,5	10,5	45X2	88	60	17	32	35,3	5,079	GB2DDLA3021A000
GB2 42L	35 MPa	40	107	53,5	144	85	13,5	125,5	113	300	134,5	11	52X2	102	75	17	40	42,3	7,144	GB2DDL3021A000

"The company reserves the right to operate dimensional changes without prior notice".



GB2 DIN ISO 228 BSP
Fixing holes DIN/ISO5211

TYPE	PN	DN	A	B	C	D	E	F	ØG	I	L	M	N	CH	R	ØS	T	SW	LW	WEIGHT Kg	ITEM CODE
GB2 G1 1/4	35 MPa	32	93	46,5	115	75	13,5	111,5	98	120,5	24	G 1"1/4	88	60	11	M6	50	17	32	6,975	GB2GGT63021AF50
GB2 G1 1/2	35 MPa	40	107	53,5	131	85	13,5	125,5	113	134,5	25	G 1"1/2	102	75	11	M6	50	17	40	7,393	GB2GGT73021AF50
GB2 G2R	35 MPa	40	107	53,5	131	85	13,5	125,5	113	134,5	25	G 2"	102	75	11	M6	50	17	40	6,975	GB2GGR83021AF50
GB2 G2	35 MPa	50	114	57	140	98	13,5	132,5	123	141,5	27	G 2"	118	85	11	M6	50	17	50	9,046	GB2GGT83021AF50

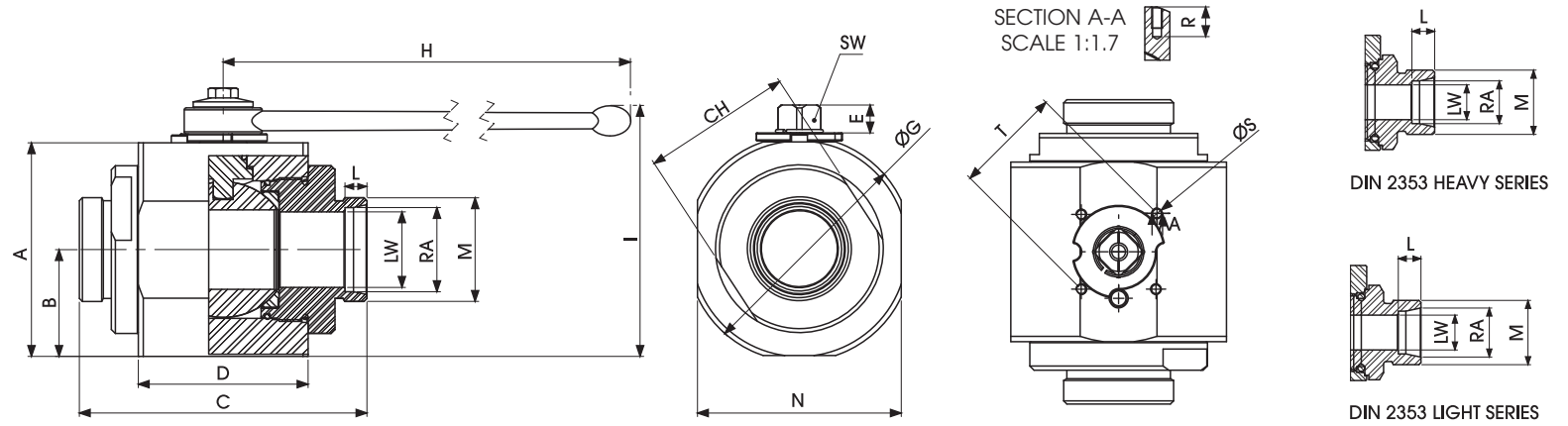
GB2 ANSI/ASME B1.20.1 NPT
Fixing holes DIN/ISO5211

TYPE	PN	DN	A	B	C	D	E	F	ØG	I	L	M	N	CH	R	ØS	T	SW	LW	WEIGHT Kg	ITEM CODE
GB2 N1 1/4	35 MPa	32	93	46,5	115	75	13,5	111,5	98	120,5	24	N 1"1/4	88	60	11	M6	50	17	32	6,975	GB2NNT63021AF50
GB2 N1 1/2	35 MPa	40	107	53,5	131	85	13,5	125,5	113	134,5	25	N 1"1/2	102	75	11	M6	50	17	40	7,393	GB2NNT73021AF50
GB2 N2R	35 MPa	40	107	53,5	131	85	13,5	125,5	113	134,5	25	N 2"	102	75	11	M6	50	17	40	6,975	GB2NNR83021AF50
GB2 N2	35 MPa	50	114	57	140	98	13,5	132,5	123	141,5	27	N 2"	118	85	11	M6	50	17	50	9,046	GB2NNT83021AF50

GB2 SAE J1926-1
Fixing holes DIN/ISO5211

TYPE	PN	DN	A	B	C	D	E	F	ØG	H	I	L	M	N	CH	SW	LW	WEIGHT Kg	ITEM CODE
GB2 SAE20	35 MPa	32	93	46,5	115	75	13,5	111,5	98	300	120,5	24	1"5/8 UN	88	60	17	32	6,975	GB2EEE53021AF50
GB2 SAE24	35 MPa	40	107	53,5	131	85	13,5	125,5	113	300	134,5	25	1"7/8 UN	102	75	17	40	7,393	GB2EEE63021AF50
GB2 SAE32	35 MPa	50	114	57	140	98	13,5	132,5	123	300	141,5	27	2"1/2 UN	118	85	17	50	9,046	GB2EEE73021AF50

"The company reserves the right to operate dimensional changes without prior notice".



DIN 2353 HEAVY SERIES

DIN 2353 LIGHT SERIES

**GB2 DIN 2353
HEAVY SERIES**

Fixing holes DIN/ISO5211

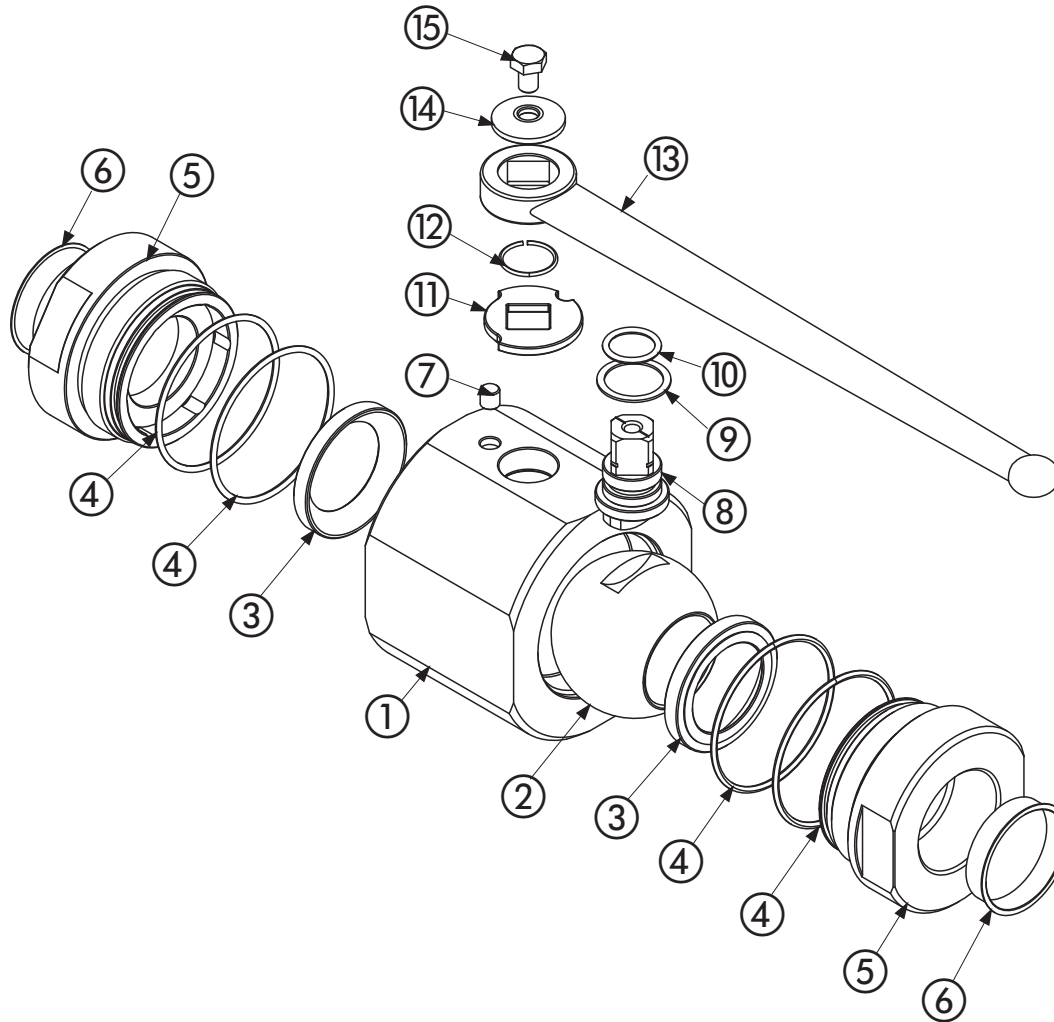
TYPE	PN	DN	A	B	C	D	E	F	ØG	I	L	M	N	CH	R	ØS	T	SW	LW	RA	WEIGHT Kg	ITEM CODE
GB2 38S	35 MPa	32	93	46,5	146	75	13,5	111,5	98	120,5	16	52X2	88	60	M6	11	50	17	32	38,3	5,229	GB2DDS93021AF50

**GB2 DIN 2353
LIGHT SERIES**

Fixing holes DIN/ISO5211

TYPE	PN	DN	A	B	C	D	E	F	ØG	I	L	M	N	CH	R	ØS	T	SW	LW	RA	WEIGHT Kg	ITEM CODE
GB2 35L	35 MPa	32	93	46,5	135	75	13,5	111,5	98	120,5	10,5	45X2	88	60	11	M6	50	17	32	35,3	5,079	GB2DDLA3021AF50
GB2 42L	35 MPa	40	107	53,5	144	85	13,5	125,5	113	134,5	11	52X2	102	75	11	M6	50	17	40	42,3	7,144	GB2DDL3021AF50

"The company reserves the right to operate dimensional changes without prior notice".

GB2 2-WAY HIGH PRESSURE BALL VALVES

Pos	Description	Material	Q.tà
1	Body	1,0570	1
2	Ball	1,0737	1
3	Ball seat	POM	2
4	Adapter o-ring	NBR	4
5	Adapter	1,0570	2
6	Caps	PVC	2
7	Spine	1,0737	1
8	Stem	1,0737	1
9	Stem ring	POM	1
10	Stem o-ring	NBR	1
11	Washer	1,0116	1
12	Seeger	1,4301	1
13	Handle	1,0116	1
14	Washer	1,0737	1
15	Screw	ISO4017 8.8	1

On request

- Reduced bore
 - O-Ring in EPDM, FFKM, MQV
 - Seals in PEEK, PA 612, RPTFE, GEMPTFE
 - Special Threads
 - Stem in stainless steel 1,4404
 - Ball in stainless steel 1,4404
 - Pressure Class PN 100 to PN 350
 - Pneumatic and electrical actuator
 - Security block
 - Locking device
- For further special requests please consult our technical/commercial service

"The company reserves the right to operate dimensional changes without prior notice".