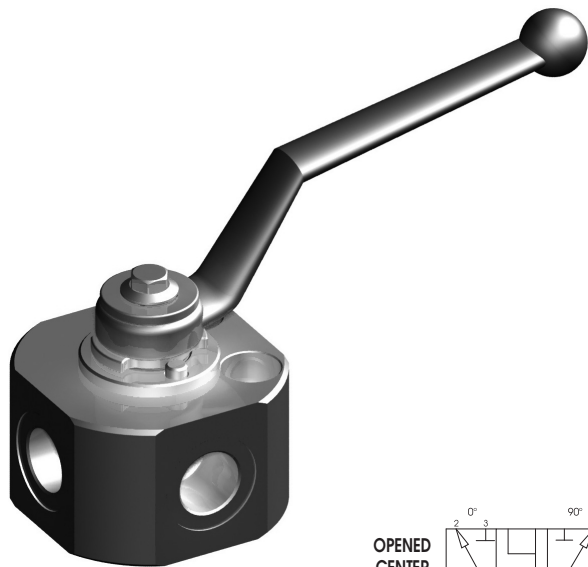


Carbon Steel

G3V 3 WAY DIVERTER VALVES



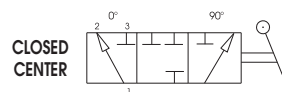
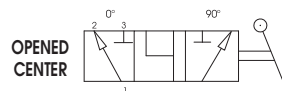
G3V G 1/2 CS

Type and way of valve
G3V 3 way diverter valves

Valves dimension of inch

GAS	ANSI/ASME	SAE
DIN/ISO 228	B1.20.1 NPT	J1926-1
G 1/8	N 1/8	SAE4
G 1/4	N 1/4	SAE6
G 3/8	N 3/8	SAE8
G 1/2	N 1/2	SAE12
G 3/4	N 3/4	SAE16
G 1"	N 1"	

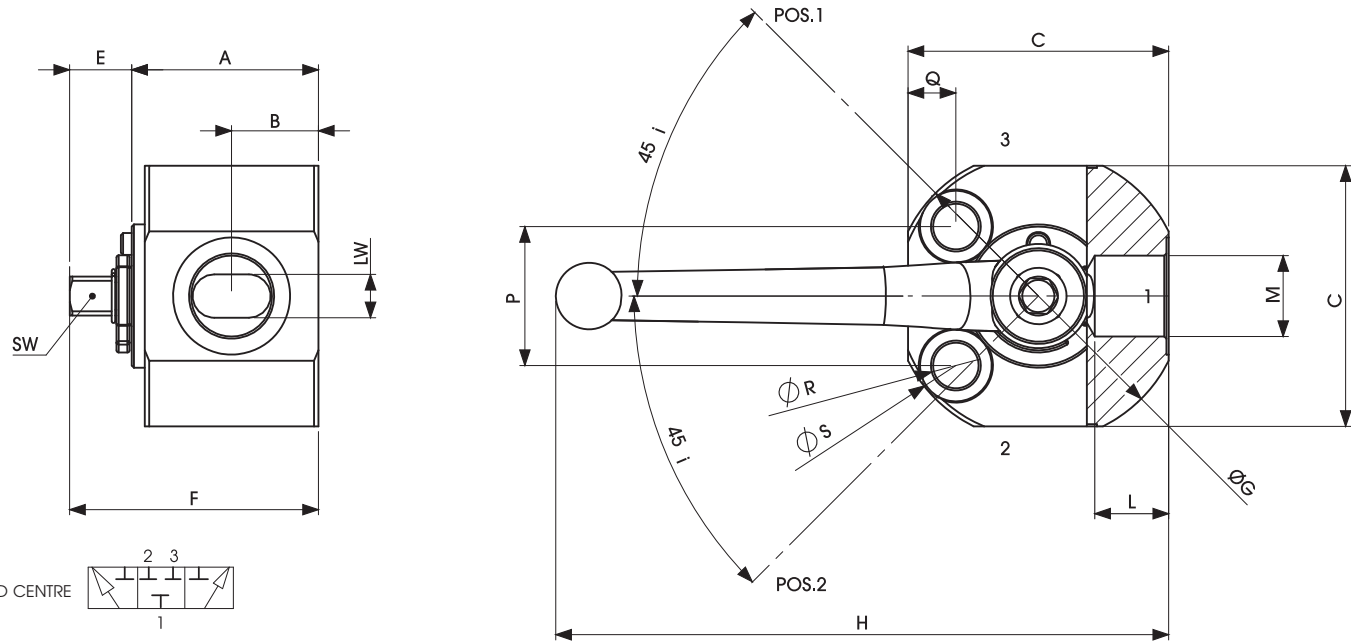
Material
CS Carbon steel



Specifications

- Type: valve G3V
- Body: block
- Material: 1,0737
- Operating pressure: PN 500
- Temp range: -10°C to +100°C depending at material selected

"The company reserves the right to operate dimensional changes without prior notice".



G3V DIN ISO 228 BSP

Standard

TYPE	PN	DN	A	B	C	E	F	ØG	H	L	LW	M	P	Q	ØR	ØS	SW	WHEIGHT Kg	ITEM CODE
G3V G 1/8	50 Mpa	6	33	15	55	16	49	Ø62	110	11	4	G 1/8	26	10	8,5	13,5	9	0,672	G3VGGT05011A000
G3V G 1/4	50 Mpa	6	33	15	55	16	49	Ø62	110	15,5	6	G 1/4	26	10	8,5	13,5	9	0,649	G3VGGT15011A000
G3V G 3/8	50 Mpa	10	38	17,5	55	16	54	Ø62	110	15,5	8	G 3/8	26	10	8,5	13,5	9	0,716	G3VGGT25011A000
G3V G 1/2	50 Mpa	13	43	20	60	16	59	Ø67	110	17	11	G 1/2	32	11	10,5	13,5	9	0,916	G3VGGT35011A000
G3V G 3/4	50 Mpa	20	48	22,5	75	20,5	68,5	Ø82	180	21	12	G 3/4	32	14	10,5	16,5	14	1,569	G3VGGT45011A000
G3V G 1"	50 Mpa	25	53	25	85	20,5	73,5	Ø97	180	24	16	G 1"	32	14	10,5	16,5	14	2,167	G3VGGT55011A000

G3V ANSI/ASME B1.20.1 NPT

Standard

TYPE	PN	DN	A	B	C	E	F	ØG	H	L	LW	M	P	Q	ØR	ØS	SW	WHEIGHT Kg	ITEM CODE
G3V N 1/8	50 Mpa	6	33	15	55	16	49	Ø62	110	11	4	N 1/8	26	10	8,5	13,5	9	0,672	G3VNNT05011A000
G3V N 1/4	50 Mpa	6	33	15	55	16	49	Ø62	110	15,5	6	N 1/4	26	10	8,5	13,5	9	0,649	G3VNNT15011A000
G3V N 3/8	50 Mpa	10	38	17,5	55	16	54	Ø62	110	15,5	8	N 3/8	26	10	8,5	13,5	9	0,716	G3VNNT25011A000
G3V N 1/2	50 Mpa	13	43	20	60	16	59	Ø67	110	17	11	N 1/2	32	11	10,5	13,5	9	0,916	G3VNNT35011A000
G3V N 3/4	50 Mpa	20	48	22,5	75	20,5	68,5	Ø82	180	21	12	N 3/4	32	14	10,5	16,5	14	1,569	G3VNNT45011A000
G3V N 1"	50 Mpa	25	53	25	85	20,5	73,5	Ø97	180	24	16	N 1"	32	14	10,5	16,5	14	2,167	G3VNNT55011A000

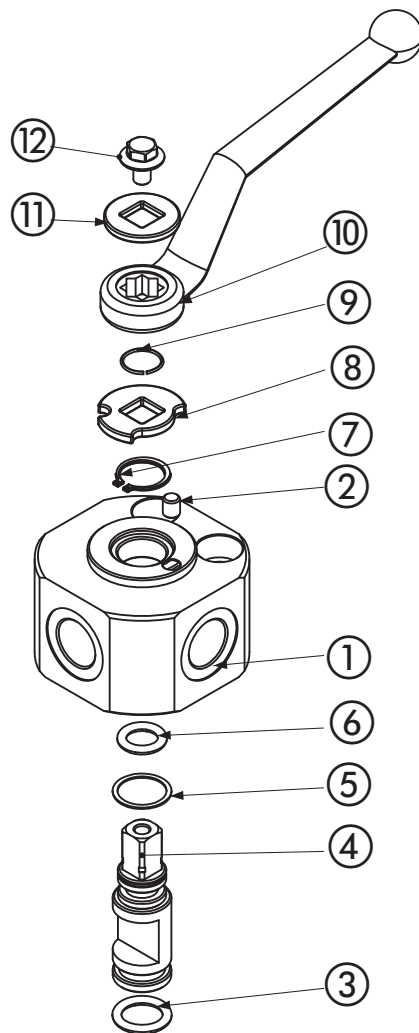
G3V SAE J1926-1

Standard

TYPE	PN	DN	A	B	C	E	F	ØG	H	L	LW	M	P	Q	ØR	ØS	SW	WHEIGHT Kg	ITEM CODE
G3V SAE4	50 Mpa	6	33	15	55	16	49	Ø62	110	15,5	6	7/16 UNF	26	10	8,5	13,5	9	0,649	G3VEEE05011A000
G3V SAE6	50 Mpa	10	38	17,5	55	16	54	Ø62	110	16	8	9/16 UNF	26	10	8,5	13,5	9	0,716	G3VEEE15011A000
G3V SAE8	50 Mpa	13	43	20	60	16	59	Ø67	110	17	11	3/4 UNF	32	11	11	13,5	9	0,916	G3VEEE25011A000
G3V SAE12	50 Mpa	20	48	22,5	75	20,5	68,5	Ø82	180	23	12	1" 1/16 UNF	32	14	11	16,5	14	1,569	G3VEEE35011A000
G3V SAE16	50 Mpa	25	53	25	85	20,5	73,5	Ø97	180	23	16	1" 5/16 UNF	32	14	11	16,5	14	2,167	G3VEEE45011A000

"The company reserves the right to operate dimensional changes without prior notice".

G3V 3 WAY DIVERTER VALVES



Pos	Description	Material	Q.tà
1	Body	1,0737	1
2	Spine	1,0737	1
3	Stem o-ring	NBR	1
4	Stem	1,0737	1
5	Stem ring	POM	1
6	Stem o-ring	NBR	1
7	Seeger	X 35 Cr Mo 17	1
8	Washer	1,0737	1
9	Seeger	1,4301	1
10	Handle	ZINC	1
11	Washer	1,0737	1
12	Screw	DIN 7991 8.8	1

On request

- Special Threads
- Pressure Class PN 500

• For further special requests please consult our technical/commercial service

"The company reserves the right to operate dimensional changes without prior notice".